

MULTI-COR M-COR

INSTALLATION

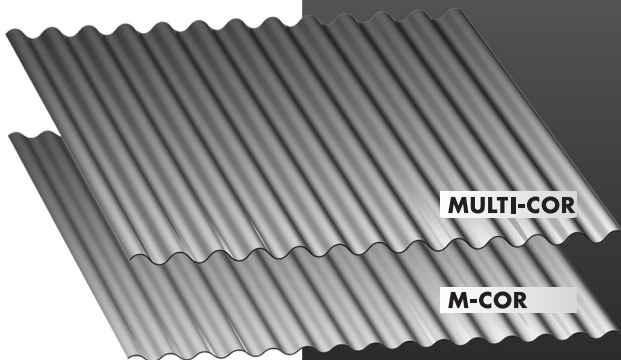


TABLE OF CONTENTS

PAGE NUMBER: DETAIL DESCRIPTION

A-1.....TABLE OF CONTENTS
A-2.....GENERAL NOTES
B-1.....FASTENER PATTERN

WALL DETAILS:

C-1.....SIMPLE BASE DETAIL
C-2.....BASE DETAIL
C-3.....WALL TO GIRT DETAIL
C-4.....OUTSIDE CORNER DETAIL
C-5.....HEADER DETAIL
C-6.....JAMB DETAIL

ROOF DETAILS:

C-7.....EAVE DETAIL
C-8.....EAVE w/ GUTTER DETAIL
C-9.....END LAP DETAIL
C-10.....INTERMEDIATE PURLIN DETAIL
C-11.....RIDGE DETAIL
C-12.....RAKE DETAIL
C-13.....RAKE TIE-IN DETAIL
C-14.....HIGH SIDE EAVE DETAIL
C-15.....HIGH SIDE TIE-IN DETAIL
C-16.....MASONRY WAINSCOTT DETAIL
C-17.....TRIM LAP DETAILS

GENERAL NOTES

The details shown on the following pages are suggestions or guidelines for installing the Multi-Cor and M-Cor wall and roof panel system. The installation details shown here are proven methods of construction, but they are not intended to cover all building requirements, designs or codes. The details may require changes or revisions due to individual project conditions.

Installation procedures shall be in accordance with the manufacturer's printed instructions, details or approved shop drawings. Installers should thoroughly familiarized themselves with all instructions prior to beginning the installation process.

The designer/installer is responsible to ensure the following:

That the details here meet the particular building requirements.

That adequate water tightness is maintained.

That a proper uniform substructure is used to avoid panel distortion and that the substructure meets necessary code requirements.

That all supporting members have been examined and are straight, level and plumb.

McElroy Metal can provide all flashings and accessories shown in the installation drawings unless noted otherwise. Panels, flashing and trim shall be installed true and in proper alignment with any exposed fasteners equally spaced for the best appearance. Sealant shall be field applied on a clean, dry surface.

Some field cutting and fitting of panels and flashings is to be expected and to be considered a part of normal installation work. Workmanship shall be of the best industry standards and with installation performed by experienced metal craftsmen.

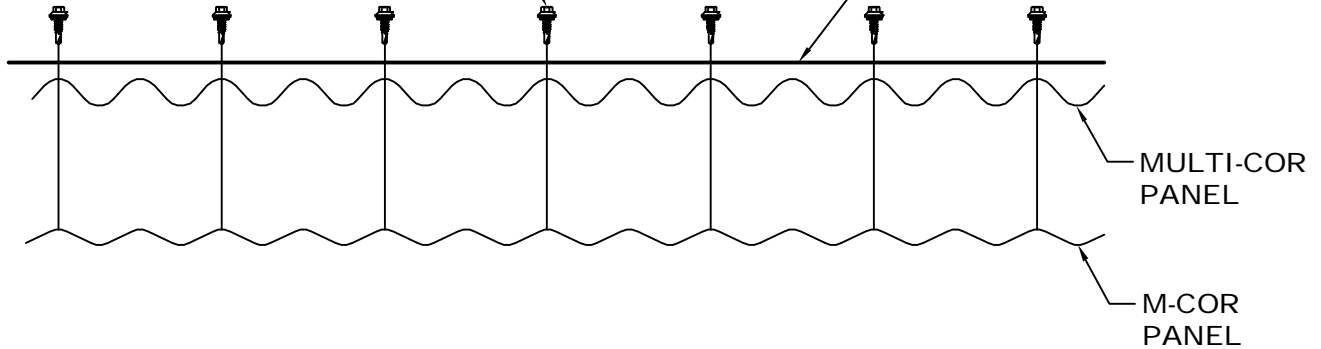
Oil canning of metal panels is inherent in the product and is not a cause for rejection.

Contents of this manual are subject to change without notice. To confirm this book is the most current copy, please visit McElroy Metal's website at www.mcelroymetal.com.

FASTENER PATTERNS

1/4"-14 X 7/8" LAP TEK ZAC
FASTENER (@ EVERY THIRD RIB)

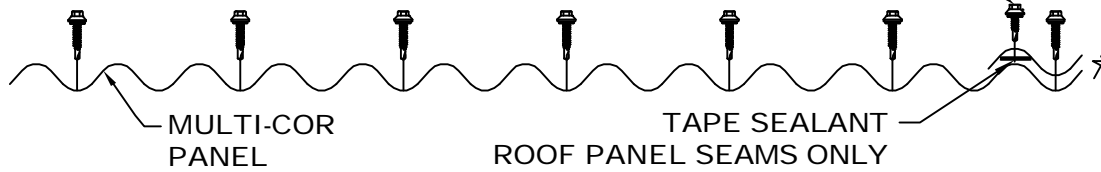
TRIM



TRIM FASTENER PATTERN

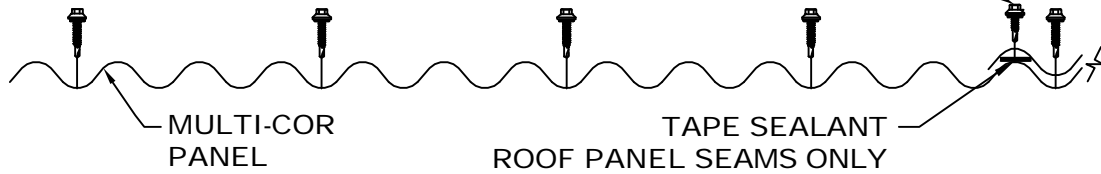
FASTENER (PATTERN #1)

STITCH FASTENER
(1'-8 O.C.)



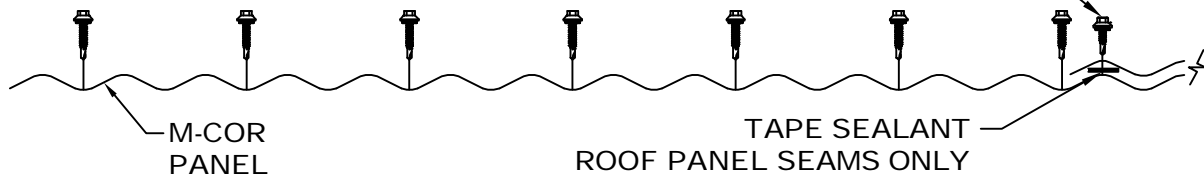
FASTENER (PATTERN #2)

STITCH FASTENER
(1'-8 O.C.)



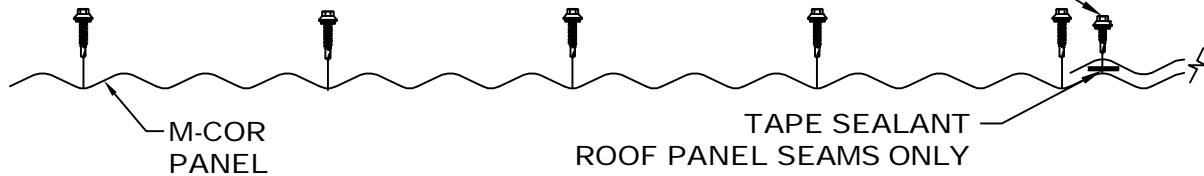
FASTENER (PATTERN #1)

STITCH FASTENER
(1'-8 O.C.)



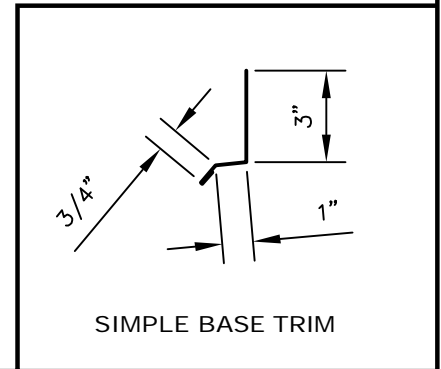
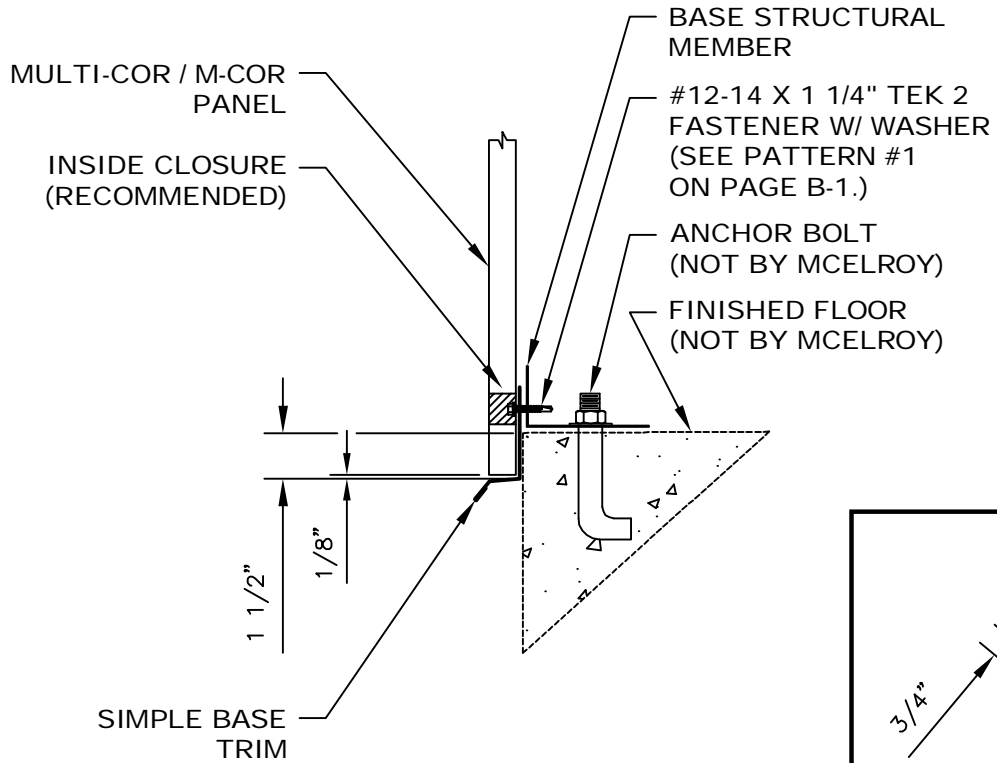
FASTENER (PATTERN #2)

STITCH FASTENER
(1'-8 O.C.)

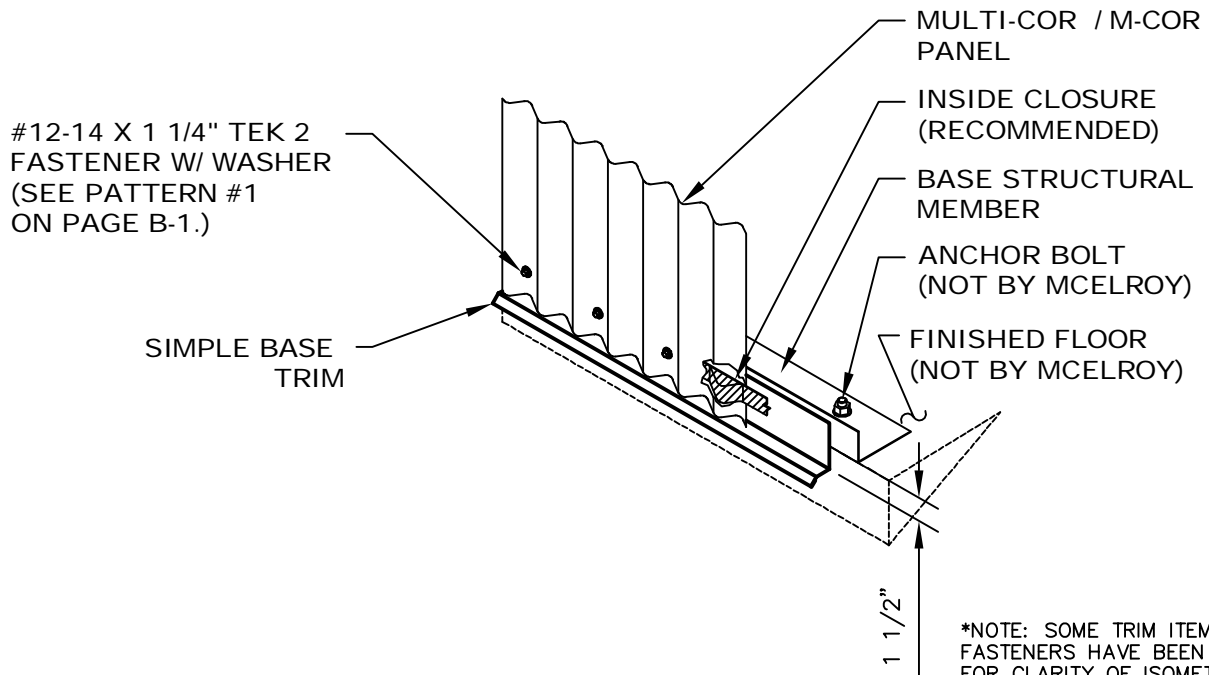


PANEL FRAMING AND STITCH FASTENER PATTERNS

SIMPLE BASE DETAIL

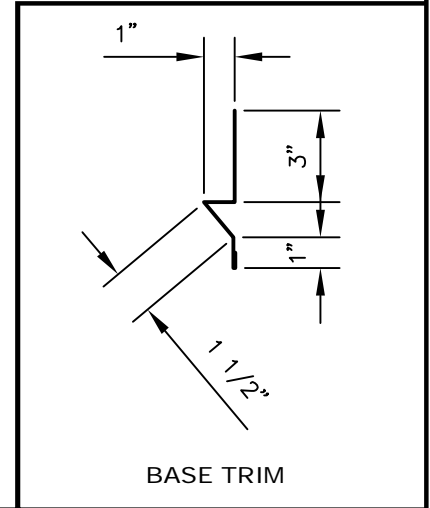
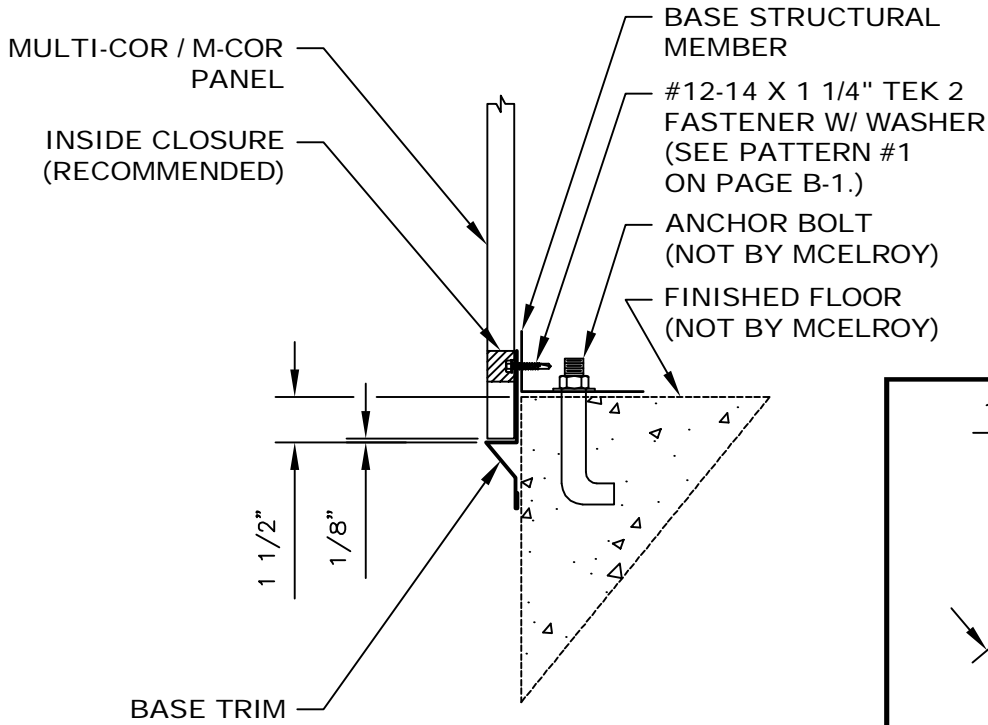


- NOTES:
1. Base Structural Member set flush with edge of Finished Floor.
 2. Set Simple Base Trim 1 1/2" down face of finished floor.
 3. Set Closure in position on Simple Base Trim.
 4. Set Multi-Cor / M-Cor Wall Panel into Place. Make sure to leave a 1/8" gap between trim and panel.
 5. Attach panel with #12-14 X 1 1/4" Tek 2 Fastener W/ Washer per Fastening Pattern (See Fastener Pattern #1 On Page B-1).

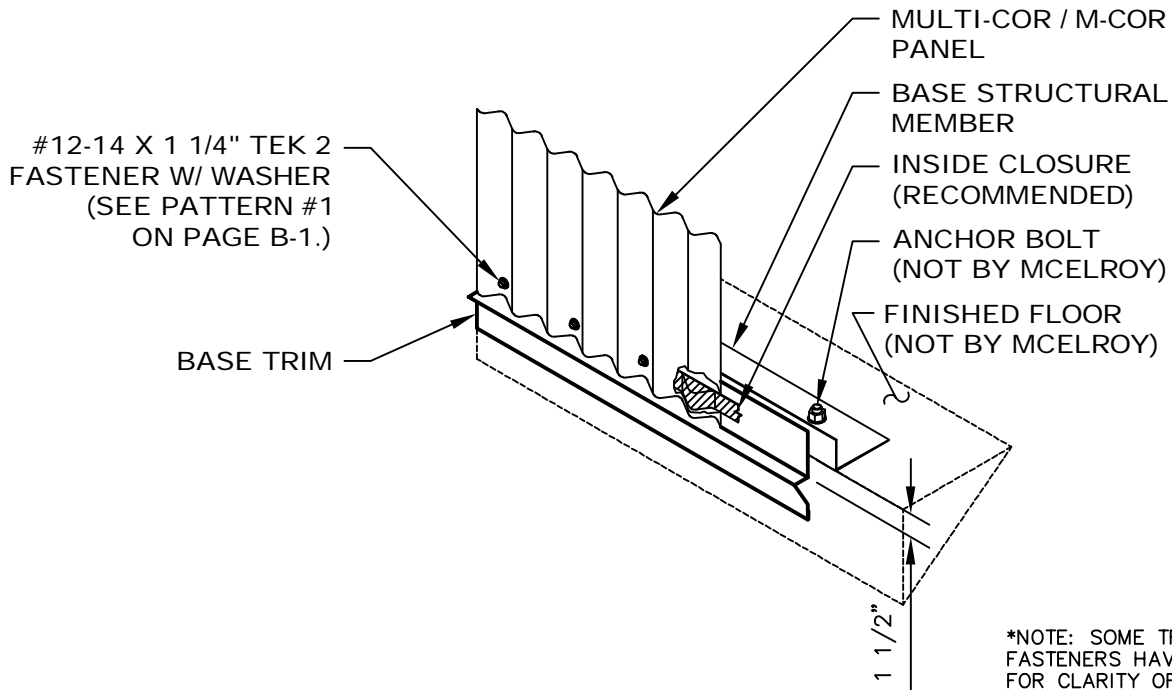


*NOTE: SOME TRIM ITEMS AND FASTENERS HAVE BEEN REMOVED FOR CLARITY OF ISOMETRIC DETAIL.

BASE DETAIL

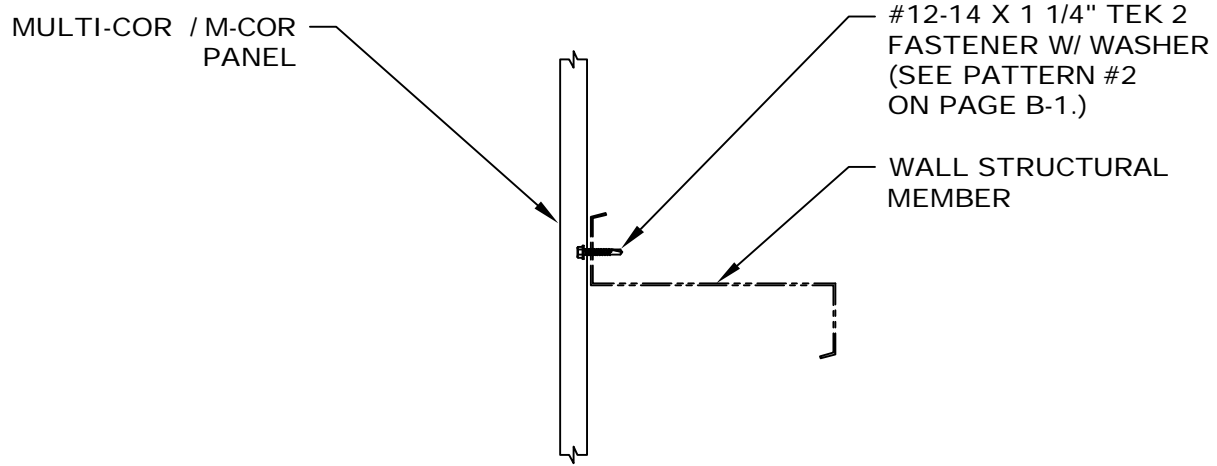


- NOTES: 1. Base Structural Member set flush with edge of Finished Floor.
 2. Set Base Trim 1 1/2" down face of finished floor.
 3. Set Closure in position on Base Trim.
 4. Set Multi-Cor / M-Cor Wall Panel into place. Make sure to leave a 1/8" gap between trim and panel.
 5. Attach panel with #12-14 x 1 1/4" Tek 2 Fastener W/ Washer per Fastening Pattern (See Fastener Pattern #1 On Page B-1).

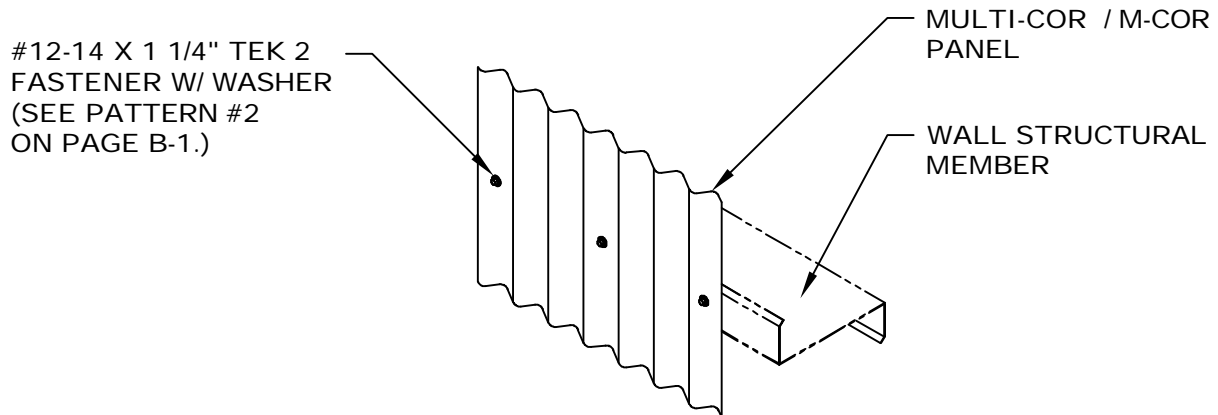


*NOTE: SOME TRIM ITEMS AND FASTENERS HAVE BEEN REMOVED FOR CLARITY OF ISOMETRIC DETAIL.

WALL PANEL TO GIRT DETAIL

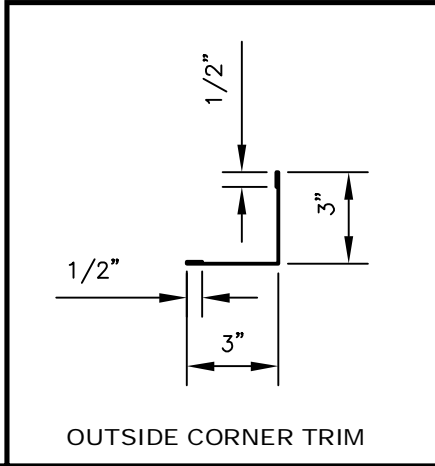
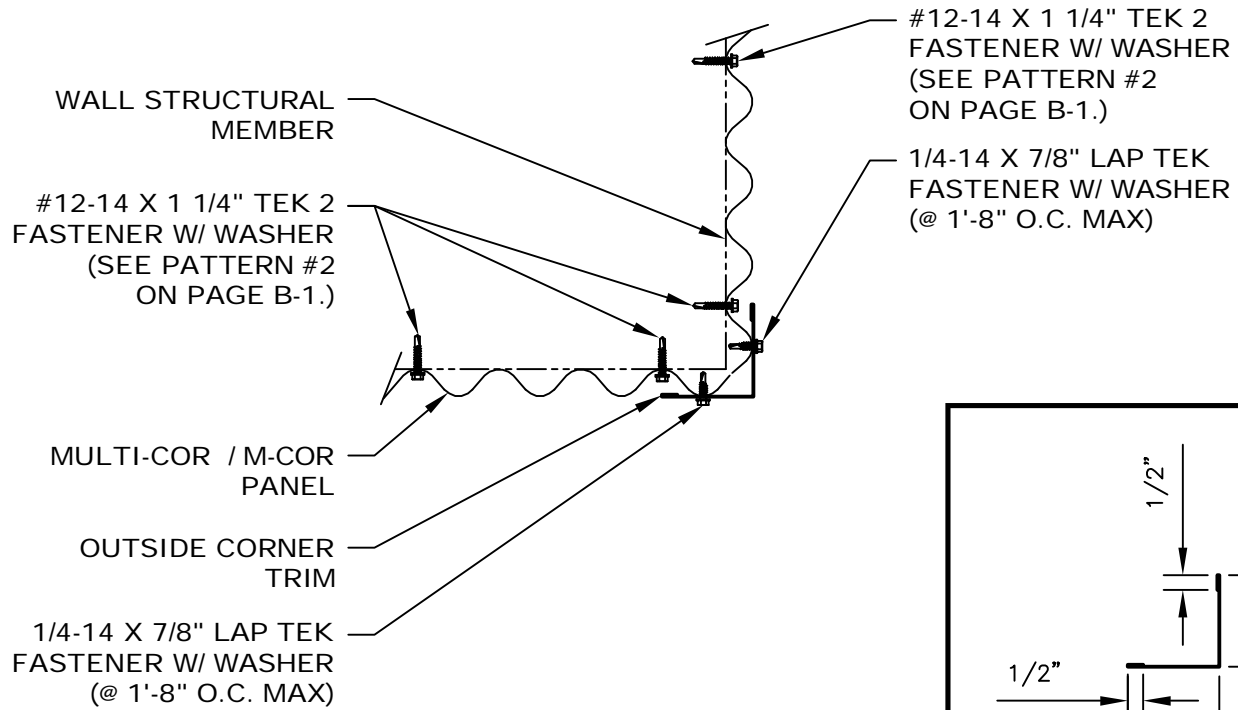


NOTES: 1. Attach Multi-Cor / M-Cor Wall Panel to Wall Structural Member with #12-14 x 1 1/4" Tek 2 Fastener W/ Washer using Fastener (See Fastener Pattern # 2 On Page B-1).

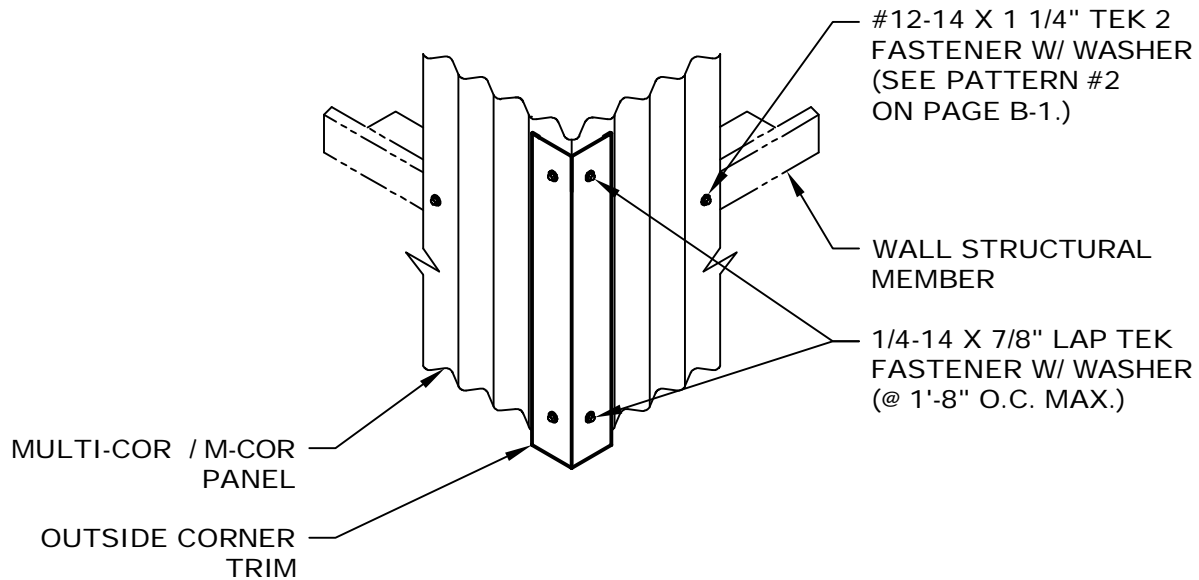


*NOTE: SOME TRIM ITEMS AND FASTENERS HAVE BEEN REMOVED FOR CLARITY OF ISOMETRIC

OUTSIDE CORNER DETAIL

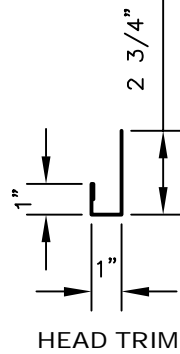
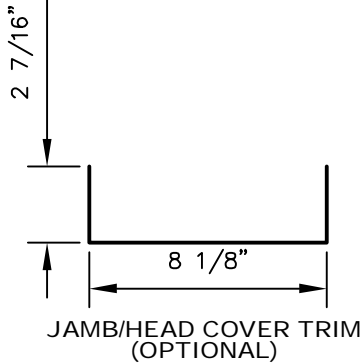
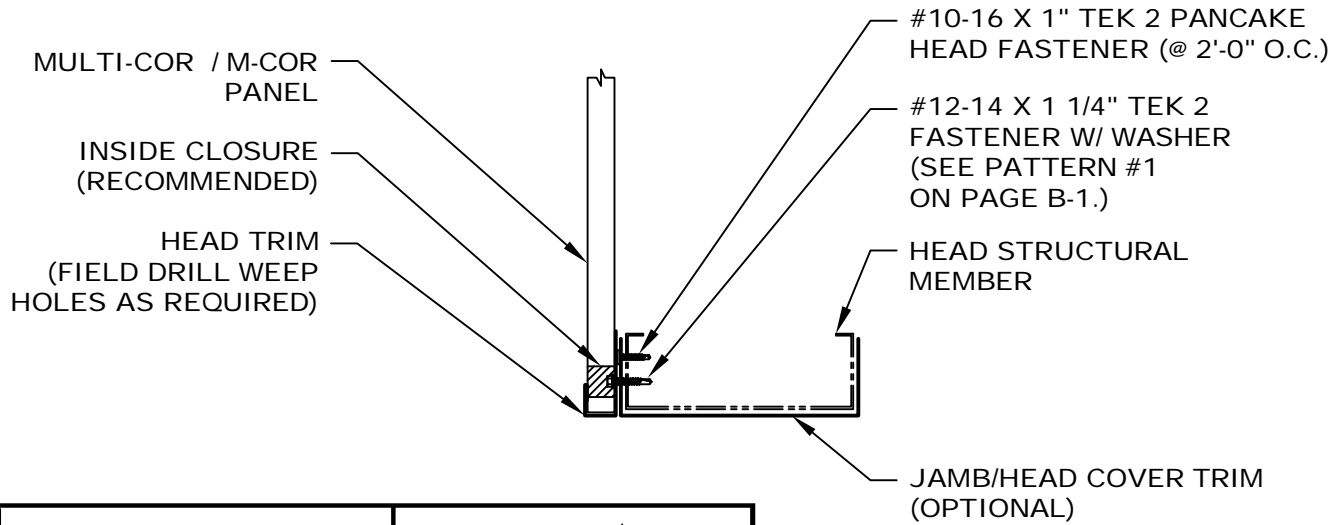


NOTES: 1. Attach Multi-Cor / M-Cor Wall Panel to Wall Structural Member with #12-14 x 1 1/4" Tek 2 Fastener W/ Washer using Fastener (See Fastener Pattern #2 On Page B-1.)

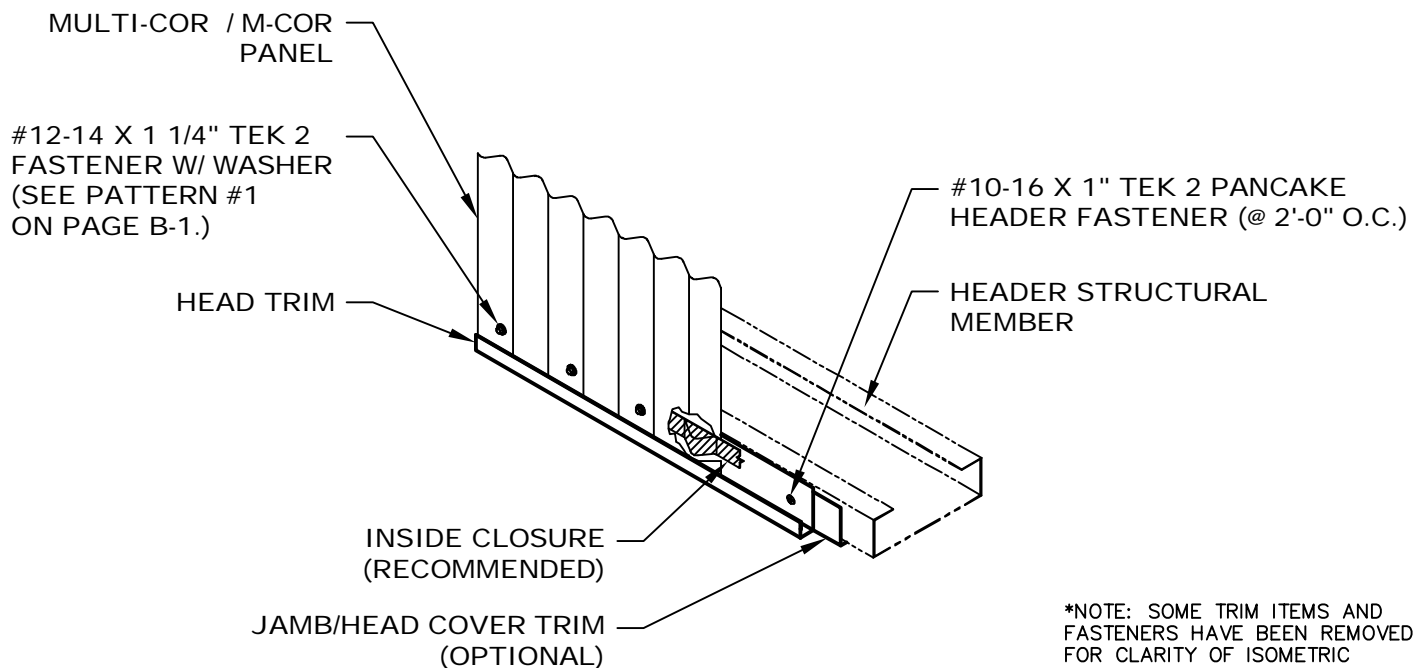


*NOTE: SOME TRIM ITEMS AND FASTENERS HAVE BEEN REMOVED FOR CLARITY OF ISOMETRIC DETAIL.

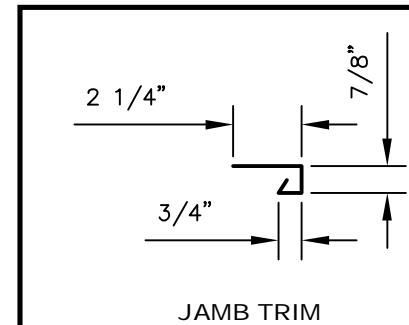
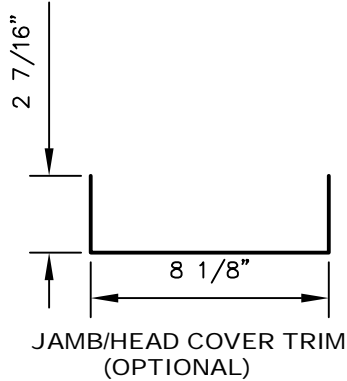
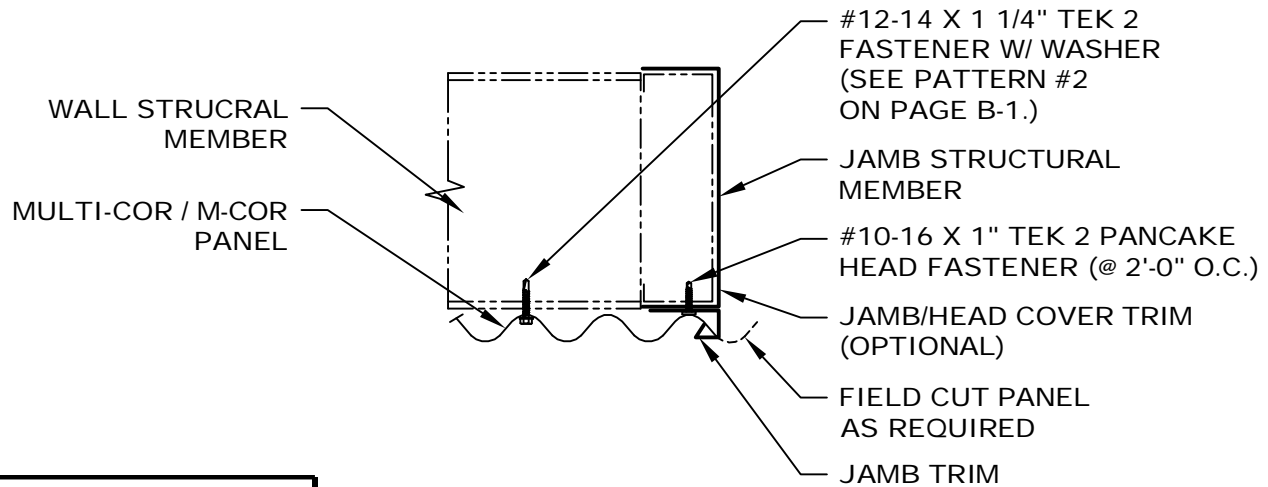
HEADER DETAIL



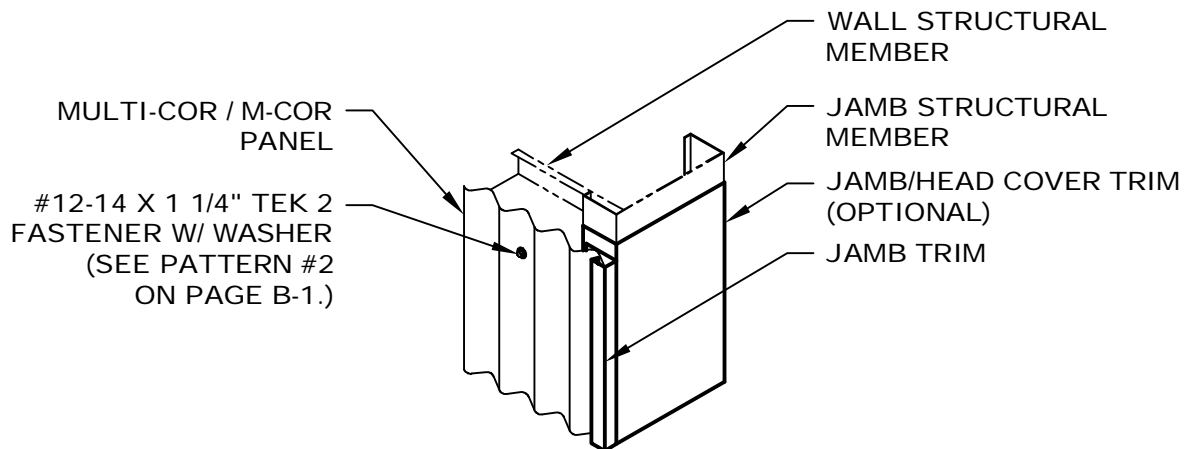
- NOTES: 1. Attach Head Trim to Header using #10-16 x 1" TEK 2 Pancake Head Fastener every 2'-0" O.C.
 2. Set Inside Closure in position on Head Trim.
 3. Install Multi-Cor / M-Cor Panel to Header Structural Member with #12-14 x 1 1/4" Tek 2 Fastener W/ Washer using Fastener (See Fastener Pattern #1 On Page B-1).



JAMB DETAIL

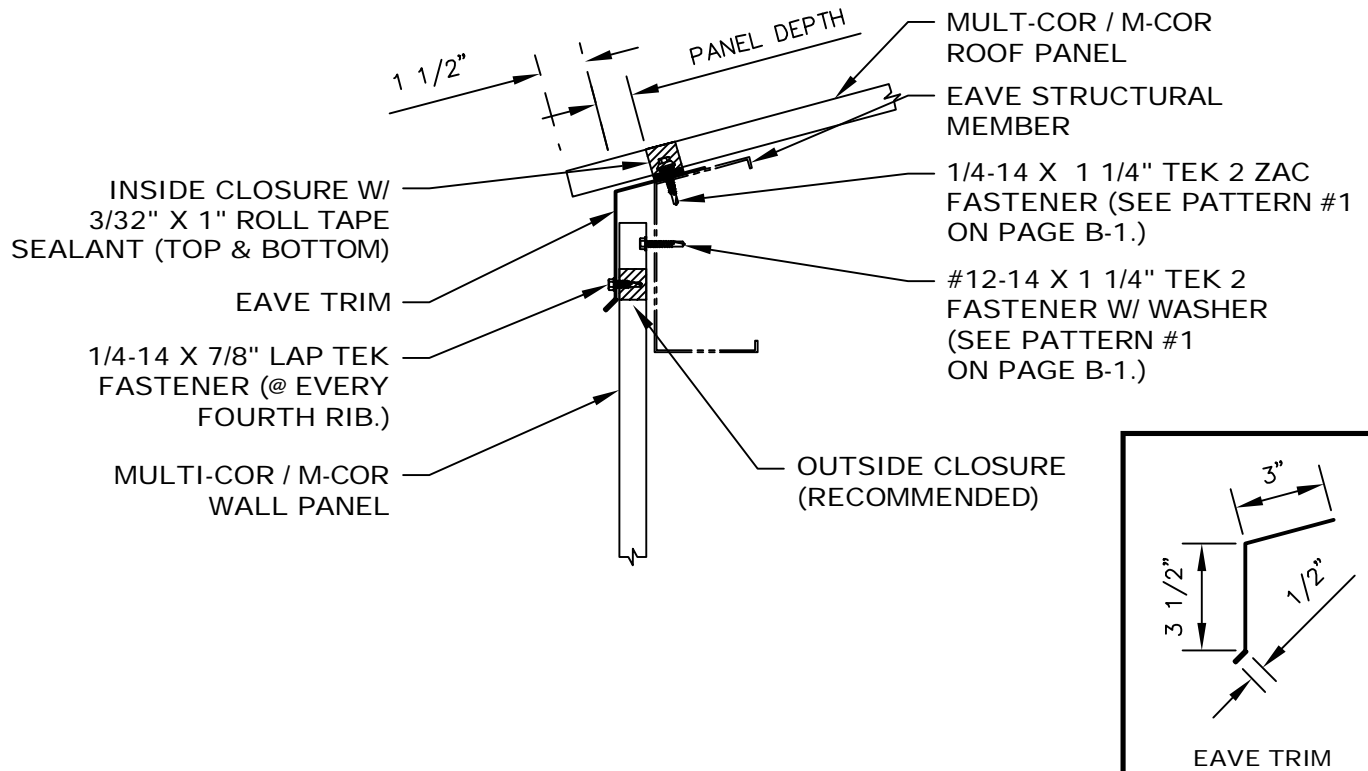


- NOTES: 1. Attach Jamb Trim to Jamb Structural Member using #10-16 x 1" TEK 2 Pancake Head Fasteners (See Fastener Pattern #2).
2. Install MULTI-COR / M-COR Panel to Wall Structural Member with #12-14 x 1 1/4" Tek 2 Fastener W/ Washer using Fastener Pattern (See Fastener Pattern #2 On Page B-1).

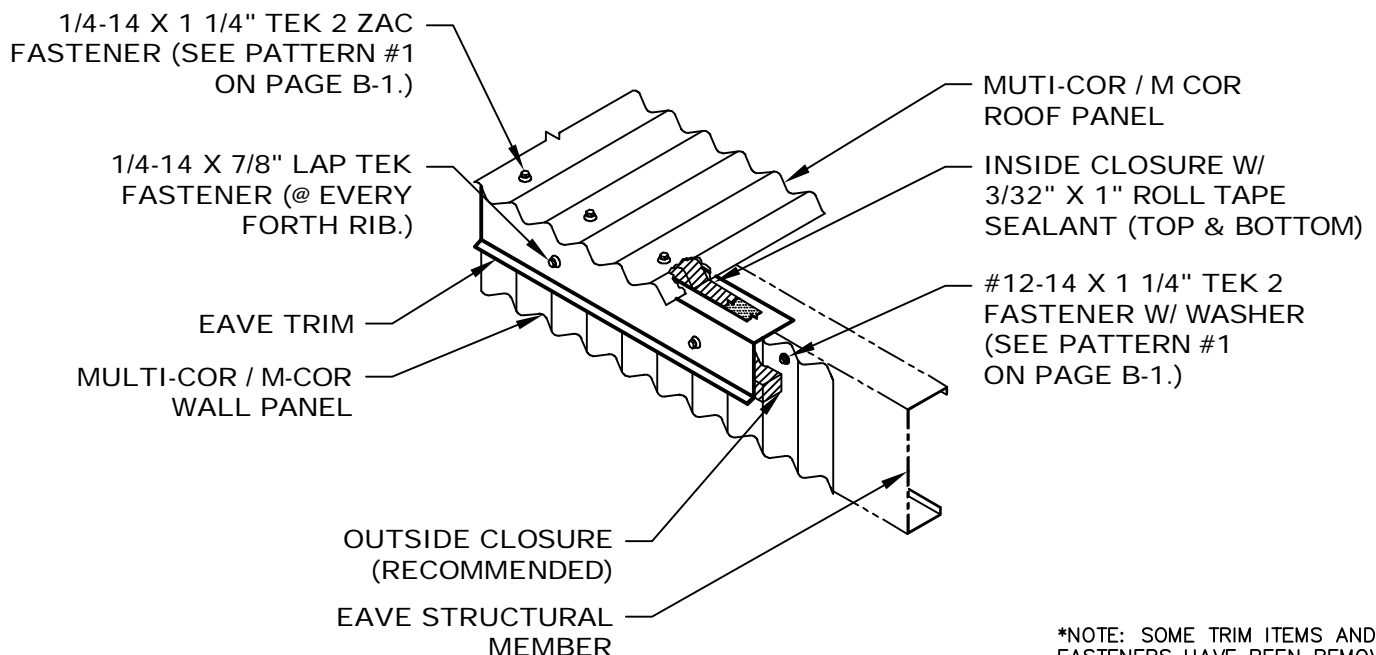


*NOTE: SOME TRIM ITEMS AND FASTENERS HAVE BEEN REMOVED FOR CLARITY OF ISOMETRIC

EAVE DETAIL

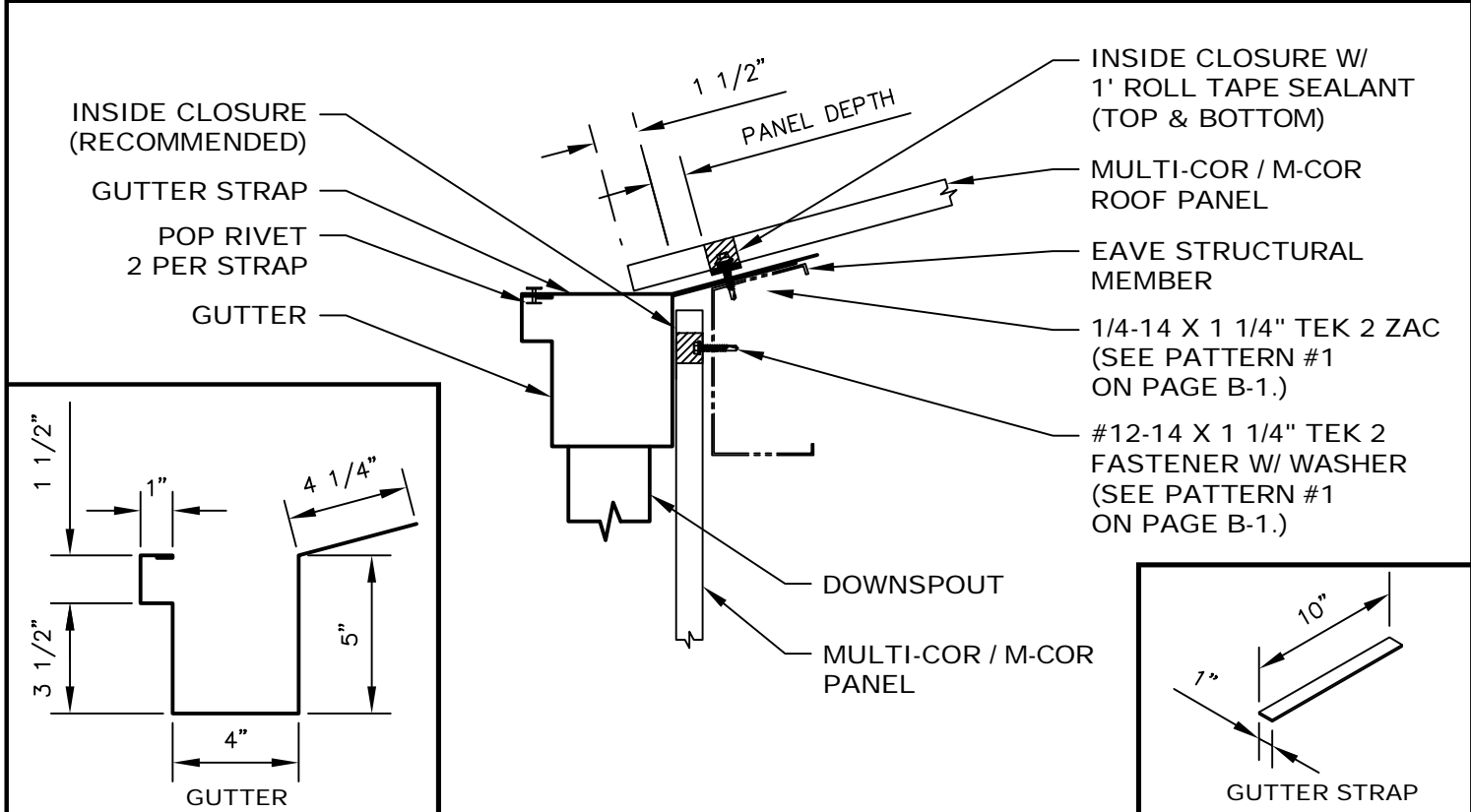


- NOTES: 1. Attach Wall Panel to Eave Structural Member with #12-14 Tek 2 Fastener W/ Washer using Fastener Pattern (See Fastener Pattern #1 On Page B-1).
2. Eave Trim to run from out of wall to out of wall.
3. Trim pieces lap 2". Apply 3/32" x 3/8" Butyl Tape Sealant in trim laps and Pop Rivet trims as on page C-17.
4. Attach Eave Trim to Wall Panel at major ribs with 1/4-14 x 7/8" Lap TEK Fasteners.
5. Apply continuous run of 1" Butyl Tape Sealant on top of Simple Eave Trim.
6. Set Closures in tape and apply another continuous run of 1" Butyl Tape Sealant on top of closures.
7. Attach Multi-Cor / M-Cor Roof Panels in place with 1/4-14 x 1 1/4" TEK 2 ZAC with Washer. (See Pattern Fastener #1).

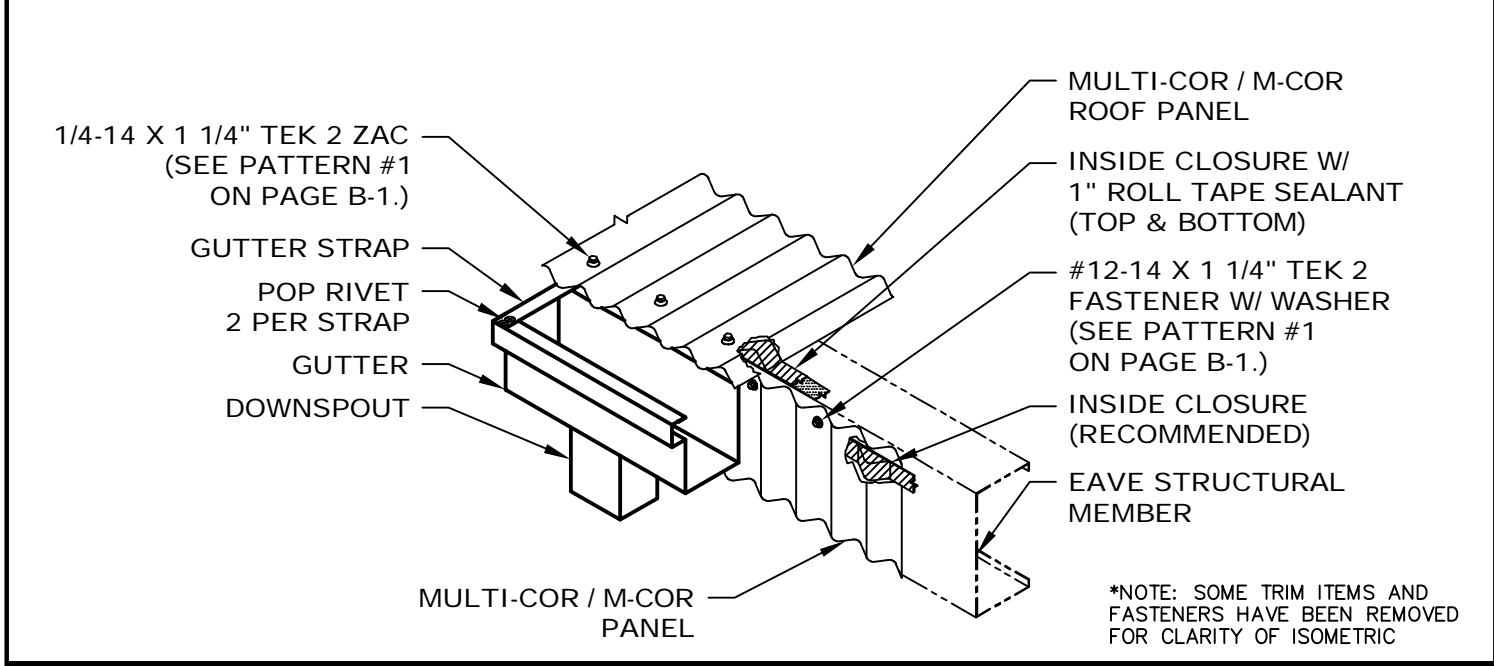


*NOTE: SOME TRIM ITEMS AND FASTENERS HAVE BEEN REMOVED FOR CLARITY OF ISOMETRIC

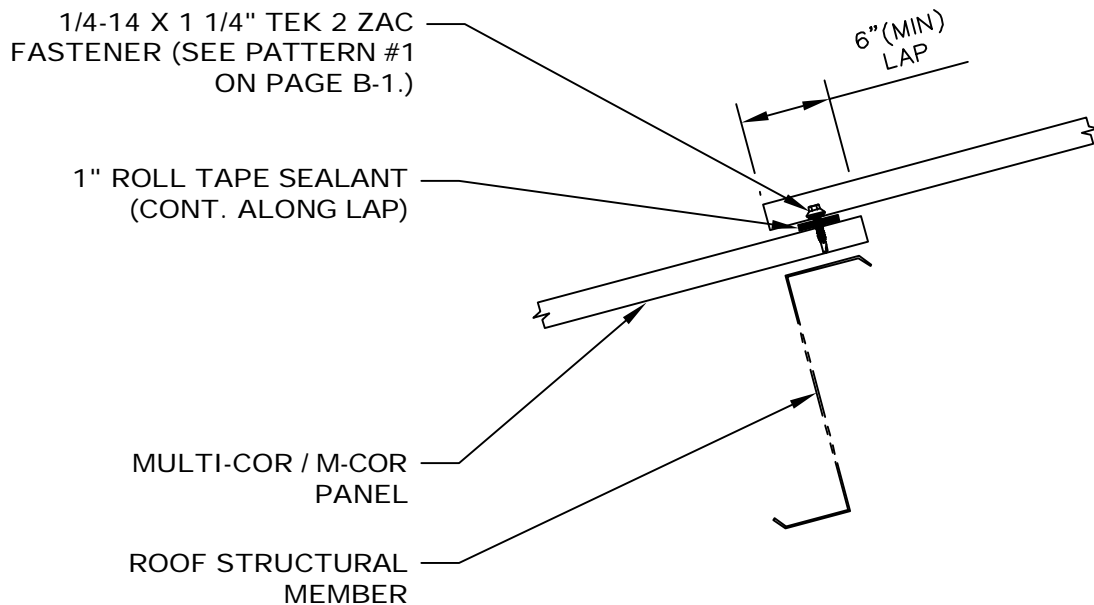
EAVE w/ GUTTER DETAIL



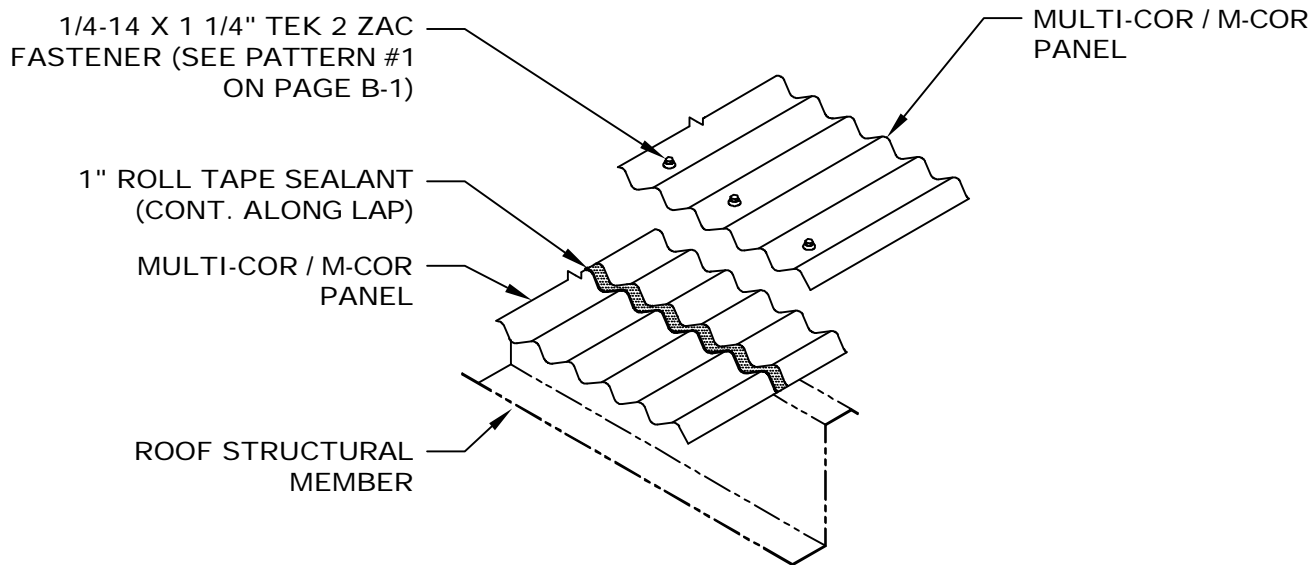
- NOTES:
1. Attach Multi-Cor / M-Cor Wall Panel to Eave Structural Member with #12-14 x 1 1/4" Tek 2 Fastener using Fastener (See Fastener Pattern #1 On Page B-1).
 2. Gutter to run from out of wall to out of wall.
 3. Trim pieces lap 2". Apply 3/32" x 3/8" Butyl Tape or Butyl Tube Sealant at trim laps and Pop Rivet trims as shown on page C-17.
 4. Apply continuous run of 1" Roll Tape Sealant on top of Gutter.
 5. Set Inside Closures in tape and apply another continuous run of 1" Roll Tape Sealant on top of closures.
 6. Attach Multi-Cor / M-Cor Roof Panels with 1/4-14 x 1 1/4" TEK 2 ZAC with Washer. (See Fastener Pattern #1).
 7. Attach Gutter to roof panel with (1) 1/4-14 x 7/8" TEK 2 ZAC Fastener with Washer. Attach Gutter Straps to Gutter with (2) Pop rivets. Then attach Gutter to Gutter Strap with (1) 1/4-14 x 1 1/4" TEK 2 ZAC Fastener with Washer.



END LAP DETAIL

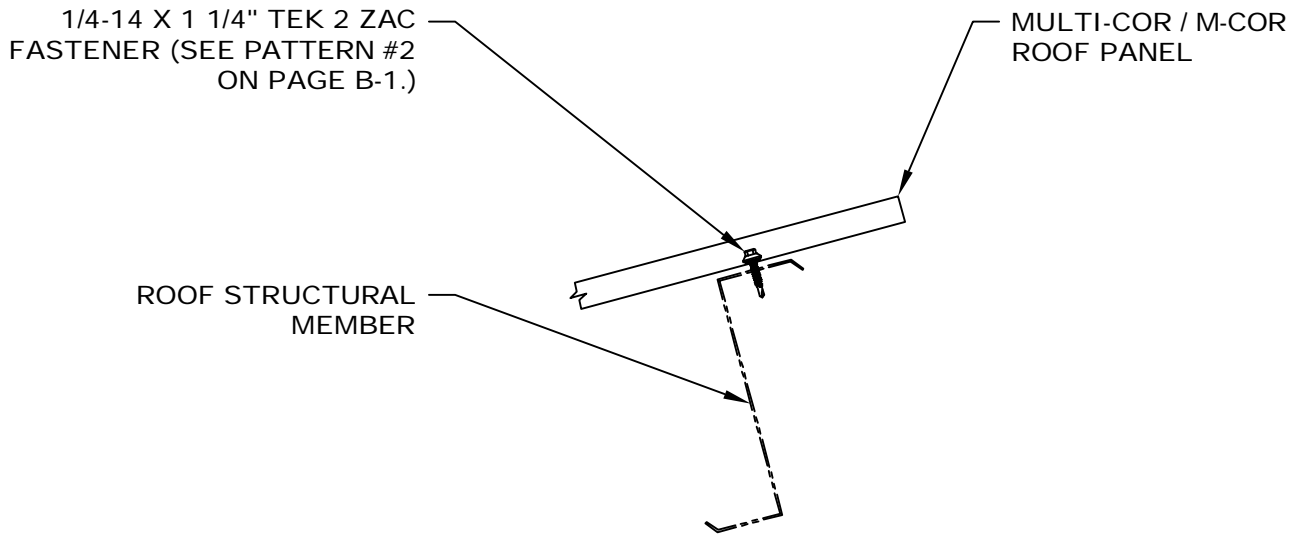


- NOTES: 1. Extend lower Multi-Cor / M-Cor Roof Panel 6" past web of Roof Structural Member.
2. Apply continuous run of 1" Roll Tape Sealant on top of lower Multi-Cor / M-Cor panel 5 3/4" down from end of panel.
3. Install upper Multi-Cor / M-Cor panel and fasten with 1/4-14 x 1 1/4" TEK 2 ZAC Fasteners with Washer. (See Fastener Pattern #1 On Page B-1).

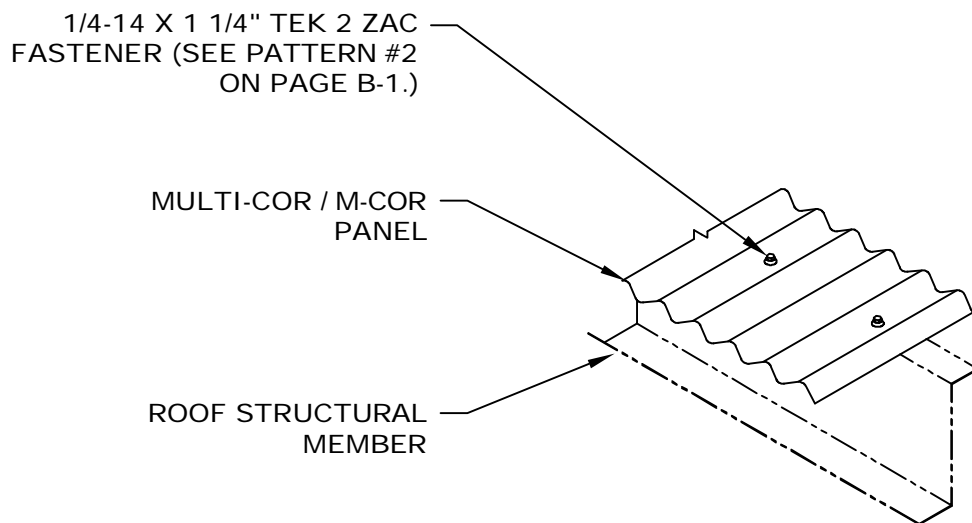


*NOTE: SOME TRIM ITEMS AND FASTENERS HAVE BEEN REMOVED FOR CLARITY OF ISOMETRIC

INTERMEDIATE PURLIN DETAIL

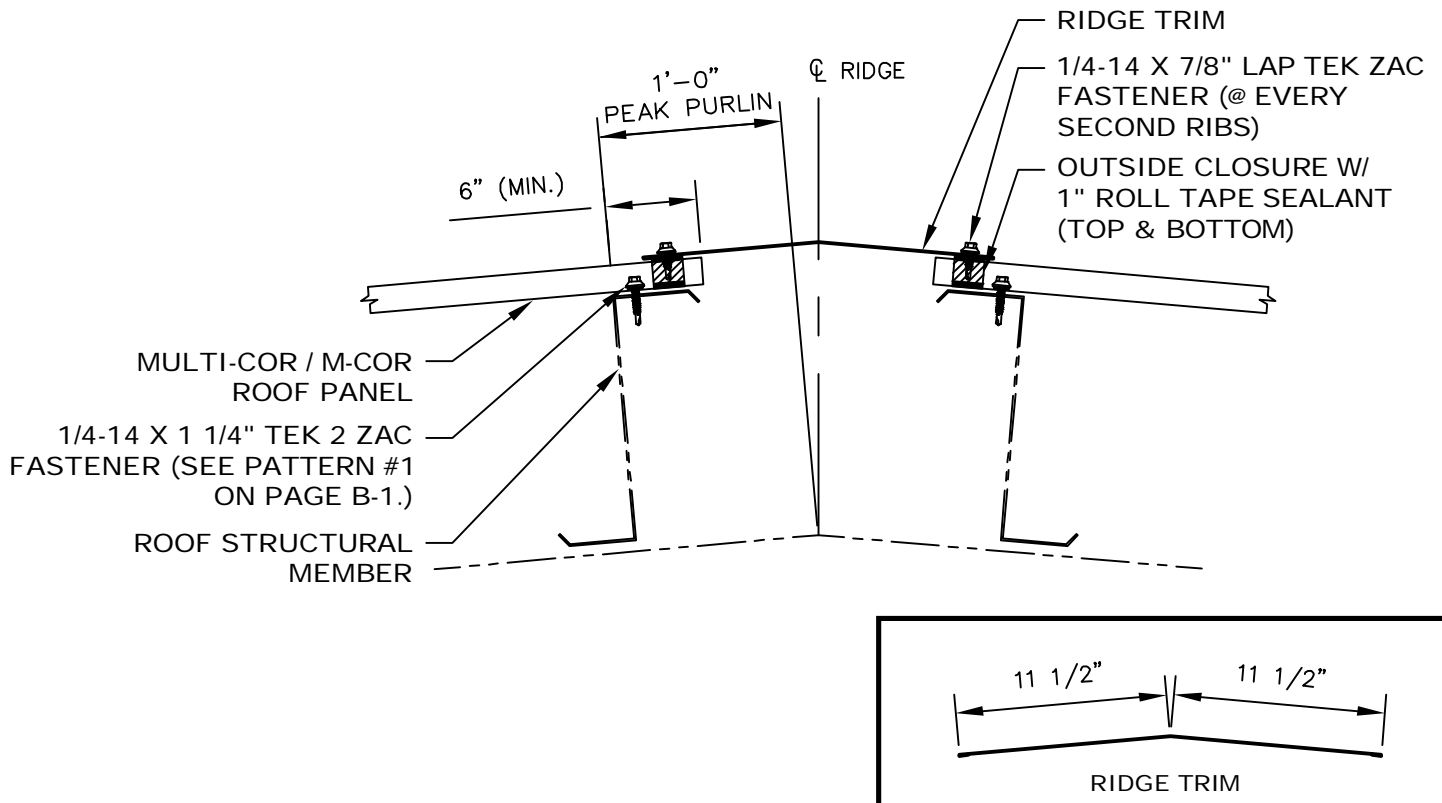


NOTES: 1. Attach Multi-Cor / M-Cor Roof Panels with 1/4-14 x 1 1/4" TEK 2 ZAC Fasteners with Washer. (See Fastener Pattern #2 On Page B-1).

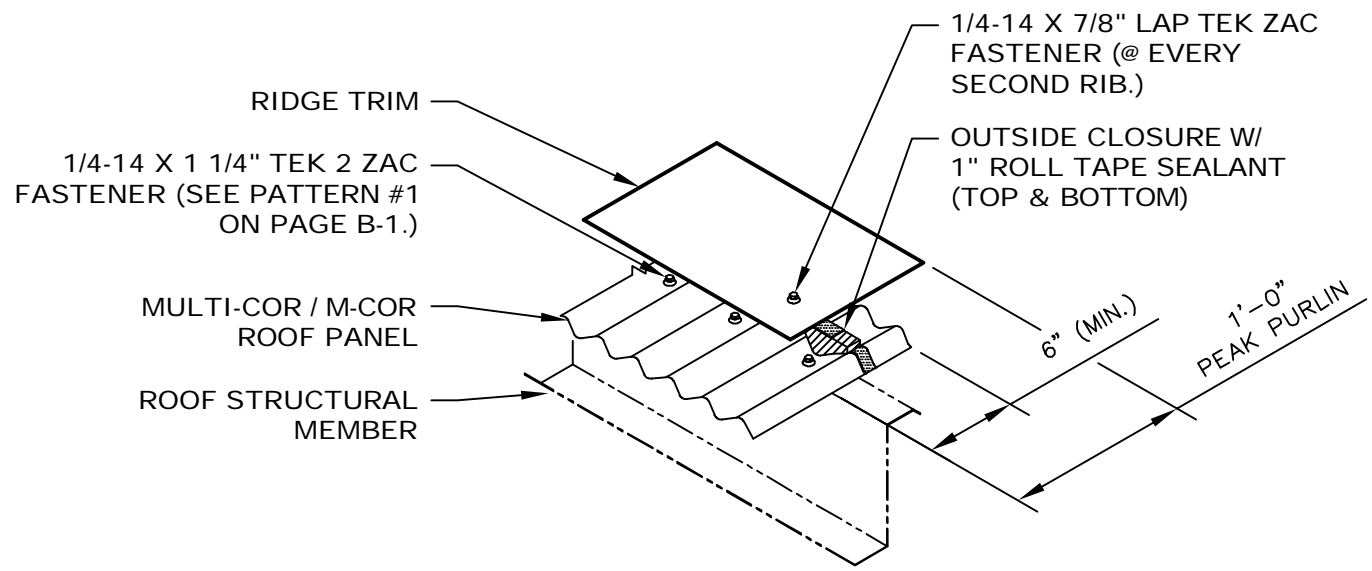


*NOTE: SOME TRIM ITEMS AND FASTENERS HAVE BEEN REMOVED FOR CLARITY OF ISOMETRIC

RIDGE DETAIL

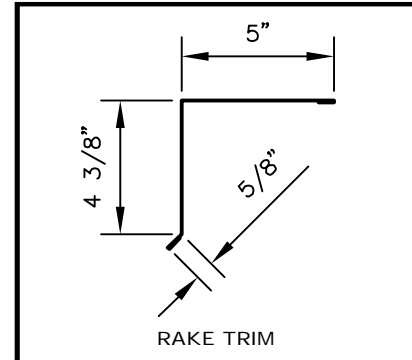
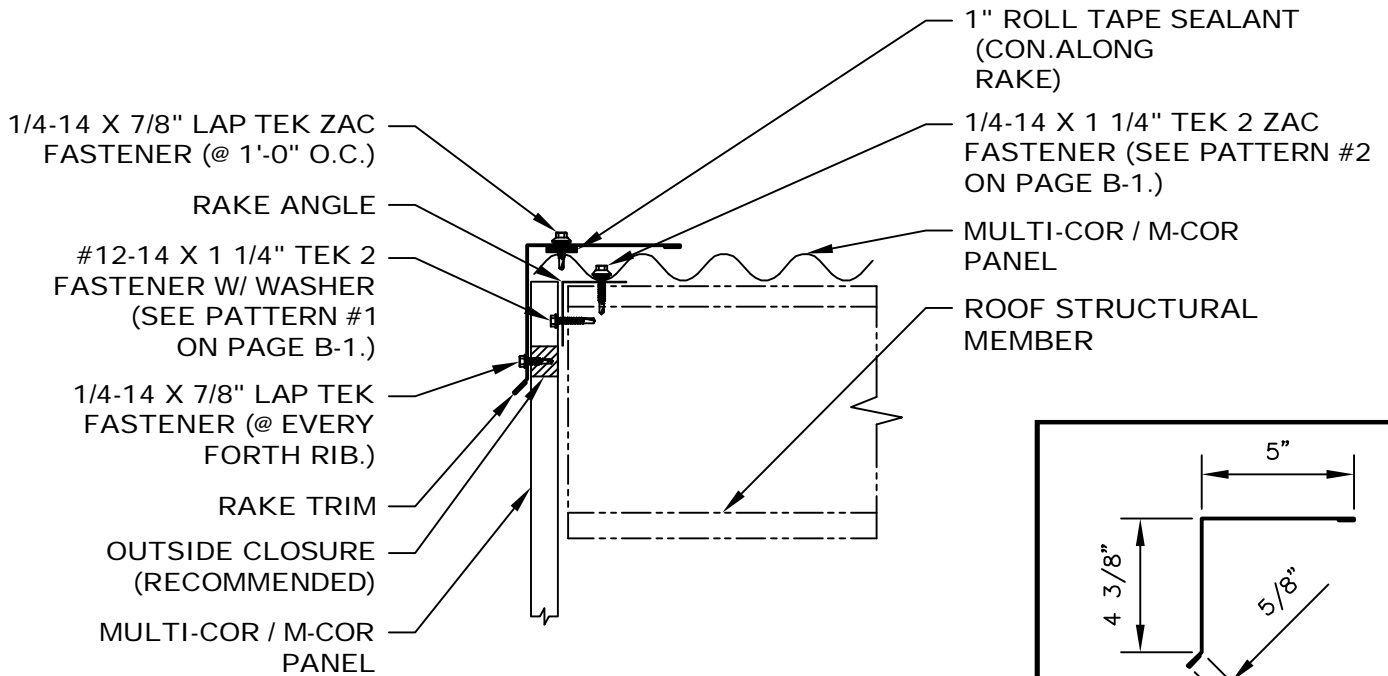


- NOTES: 1. Attach Multi-Cor / M-Cor Roof Panels with #12-14 x 1 1/4" Lap TEK 2 Fastener with Washer (See Fastener Pattern #1 On Page B-1).
2. Install a continuous line of 1" Butyl Tape Sealant above fasteners. Seat Outside Closures in tape sealant. Install another continuous line of 1" Tape Sealant on top of closures.
3. Attach Ridge Trim to roof panels with #12-14 x 7/8" Lap TEK ZAC Fastener with Washer at major ribs. Make sure fastener penetrates sealant.
4. Trim pieces lap 2". Apply 3/32" x 3/8" Butyl Tape or Butyl Tube Sealant at trim laps and secure trim joint with #12-14 x 7/8" Lap TEK ZAC Fastener with Washer at every second rib.

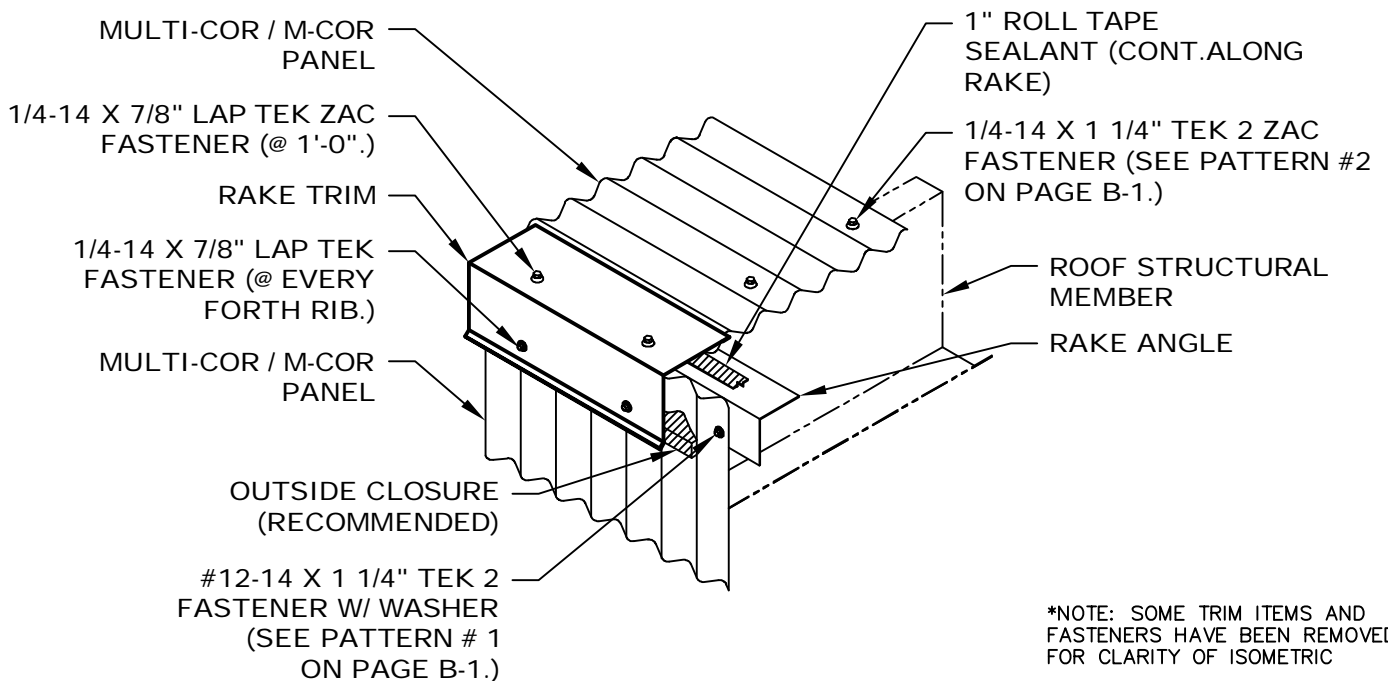


*NOTE: SOME TRIM ITEMS AND FASTENERS HAVE BEEN REMOVED FOR CLARITY OF ISOMETRIC

RAKE DETAIL

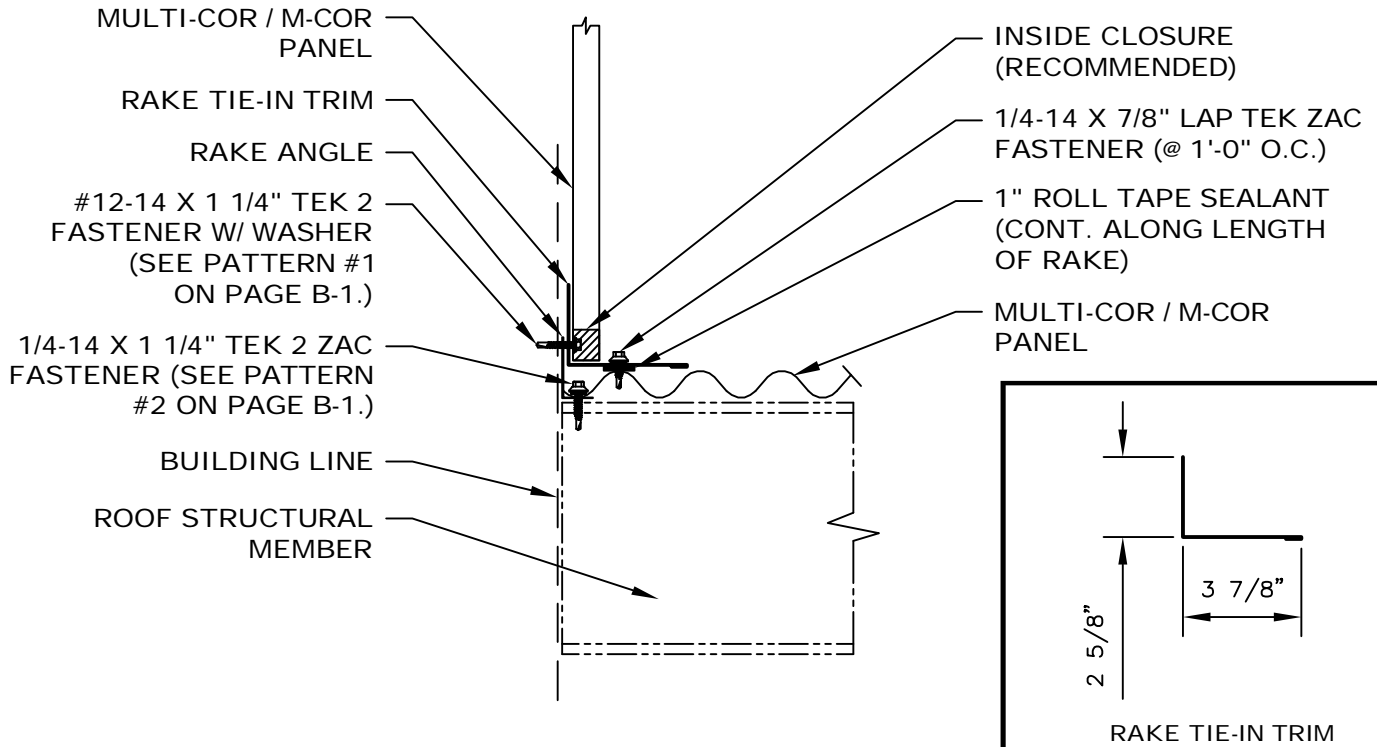


- NOTES:
1. Attach Multi-Cor / M-Cor Panel to Rake Angle with #12-14 x 1 1/4" Tek 2 Fastener W/ Washer using Fastener Pattern (See Fastener Pattern # 2 On Page B-1).
 2. Attach Multi-Cor / M-Cor Panel Roof Panels in place with 1/4"-14 x 1 1/4" TEK 2 ZAC Fastener with washer (See Fastener pattern #2 On Page B-1).
 3. Install a continuous line of 1" Butyl Tape Sealant were Rake Trim rest on roof panel.
 4. Attach Rake Trim to roof panels with 1/4-14 x 7/8" Lap TEK ZAC Fasteners with Washers @ 1'-0" O.C.
 5. Attach Rake Trim to Multi-Cor / M-Cor Panels with 1/4-14 x 7/8" Lap TEK Fasteners with Washer (See Fastener pattern #2 On Page B-1).
 6. Trim lap 2". Apply 3/32" x 3/8" Butyl Tape or Butyl Tube Sealant at trim laps and secure trim joint with 1/4-14 x 7/8" Lap TEK with washer at every forth rib.

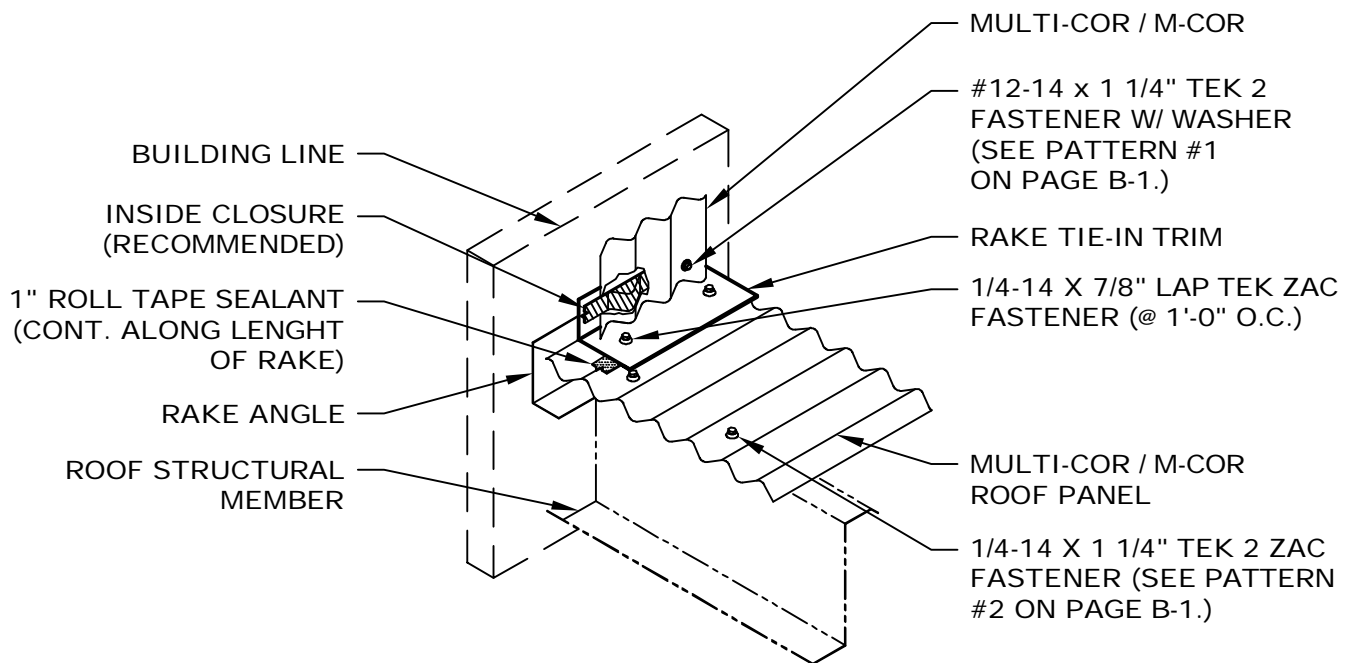


*NOTE: SOME TRIM ITEMS AND FASTENERS HAVE BEEN REMOVED FOR CLARITY OF ISOMETRIC

RAKE TIE-IN DETAIL



- NOTES: 1. Attach Multi-Cor / M-Cor Panels with #12-14 x 1 1/4" TEK 2 Fastener (See Fastener Pattern #2 On Page B-1).
2. Install a continuous line of 1" Butyl Tape Sealant where Rake Tie-In Trim rest on roof panel.
3. Attach Rake Trim to roof panels with #1/4"-14 x 7/8" Lap TEK ZAC Fastener at 1' O.C.
4. Trim pieces lap 2". Apply 3/32" x 3/8" Butyl Tape or Butyl Tube Sealant at trim laps and secure trim joint with 1/4-14 x 7/8" Lap TEK ZAC.



*NOTE: SOME TRIM ITEMS AND FASTENERS HAVE BEEN REMOVED FOR CLARITY OF ISOMETRIC

HIGH SIDE EAVE DETAIL

OUTSIDE CLOSURE W/
1" ROLL TAPE SEALANT
(TOP & BOTTOM)

MULTI-COR / M-COR
PANEL

EAVE STRUTURAL
MEMBER

1/4-14 x 7/8" LAP TEK ZAC
FASTENER (@ EVERY
SECOND RIB.)

1/4-14 X 1 1/4" TEK 2 ZAC
FASTENER (SEE PATTERN
#1 ON PAGE B-1.)

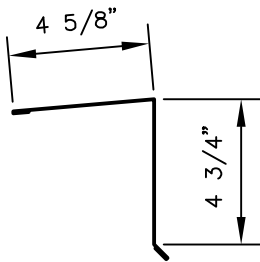
HIGH SIDE
EAVE TRIM

#12-14 X 1 1/4" TEK 2
FASTENER W/ WASHER
(SEE PATTERN #1
ON PAGE B-1.)

1/4-14 X 7/8" LAP TEK
FASTENER (@ EVERY
FORTH RIB.)

OUTSIDE CLOSURE
(RECOMMENDED)

MULTI-COR / M-COR
PANEL



HIGH SIDE EAVE TRIM

- NOTES: 1. Attach Wall Panel to Eave Structural Member with #12-14 x 1 1/2" Tek 2 Fastener W/ Washer using Fastener Pattern (See Fastener Pattern #2 On Page B-1).
2. Attach Multi-Cor / M-Cor Roof Panels with #12-14 x 1 1/4" Lap TEK Fastener with Washer (See Fastener Pattern #2 On Page B-1).
3. Install a continuous line of 1" Butyl Tape Sealant below fasteners. Seat Outside Closures in tape sealant. Install another continuous line of 1" Tape Sealant on top of closures.
4. Attach High Side Eave Trim to roof panels with 1/4-14 x 7/8" Lap TEK ZAC with washer at major ribs. Make sure fastener penetrates sealant.
5. Trim pieces lap 2". Apply 3/32" x 3/8" Butyl Tape or Butyl Tube Sealant at trim laps and secure trim joint with 1/4-14 x 7/8" Lap TEK ZAC with Washer at major ribs.

1/4-14 X 7/8" LAP TEK ZAC
FASTENER (@ EVREY
SECOND RIB.)

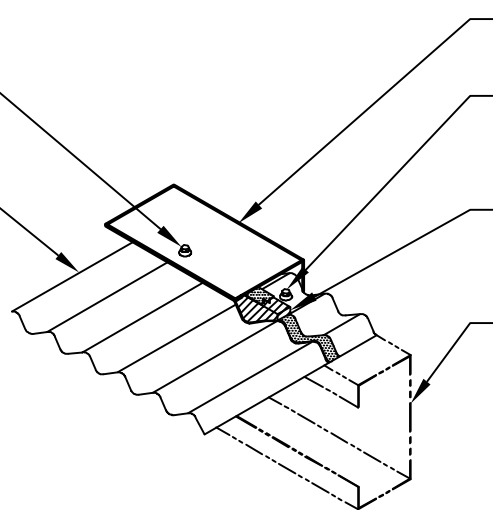
MULTI-COR / M-COR
PANEL

HIGH SIDE
EAVE TRIM

1/4-14 X 1 1/4" TEK 2 ZAC
FASTENER (SEE PATTERN
#1 ON PAGE B-1.)

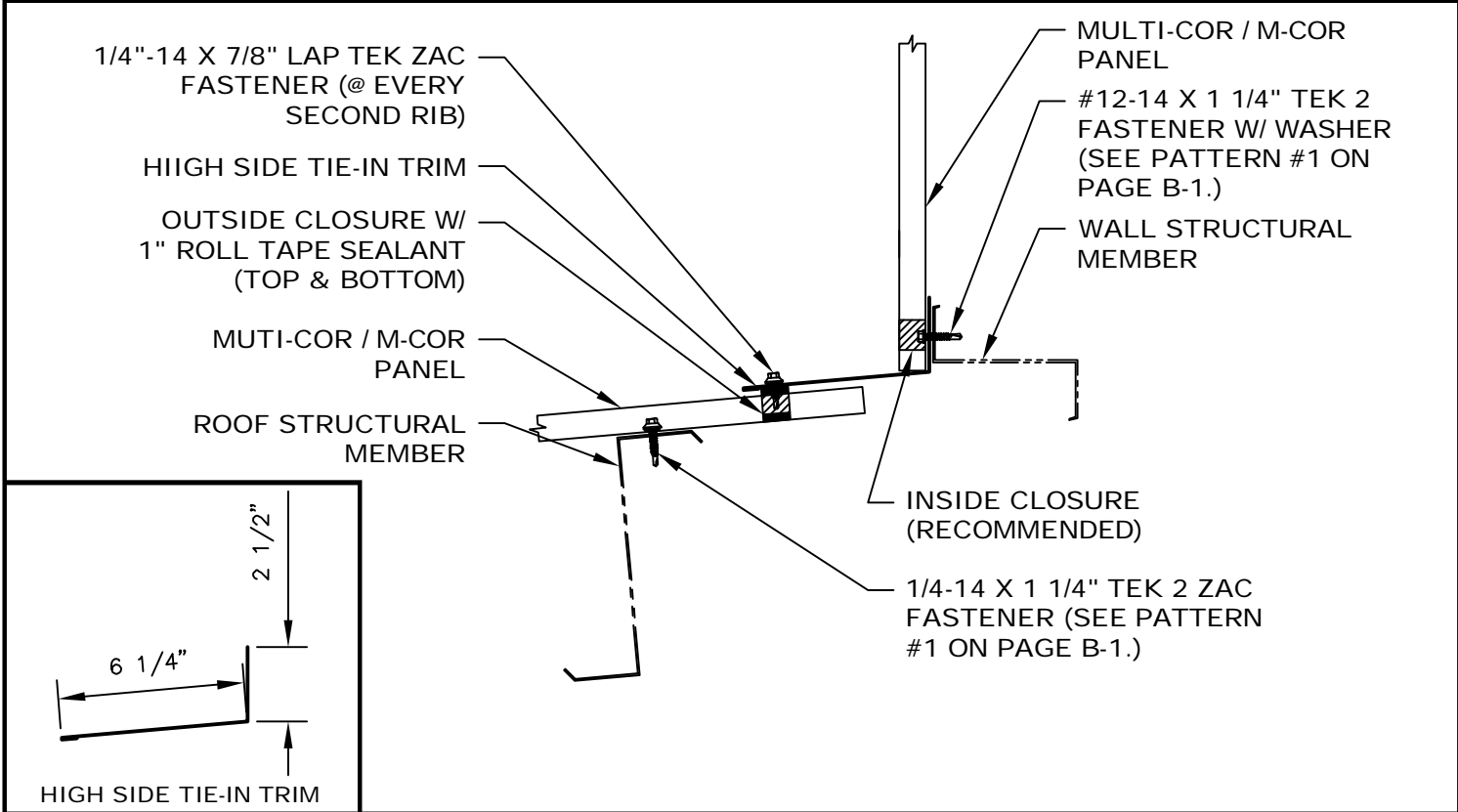
OUTSIDE CLOSURE W/
1" ROLL TAPE SEALANT
(TOP & BOTTOM)

EAVE STRUTURAL
MEMBER

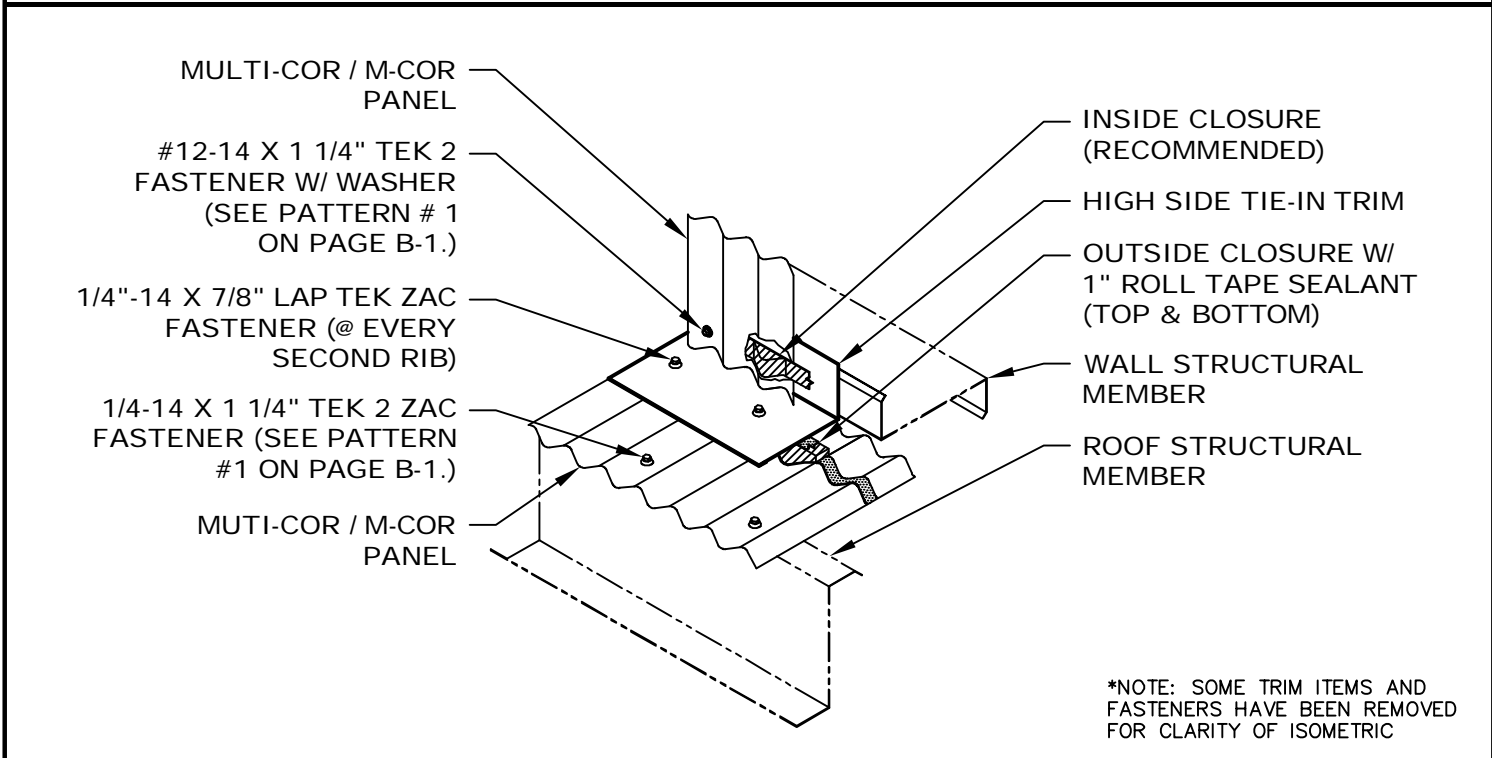


*NOTE: SOME TRIM ITEMS AND
FASTENERS HAVE BEEN REMOVED
FOR CLARITY OF ISOMETRIC

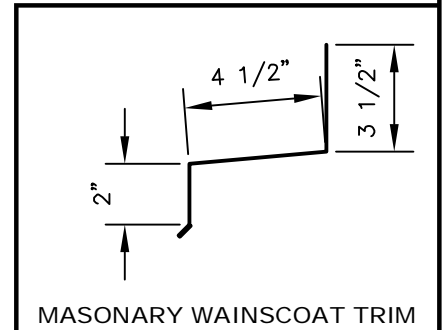
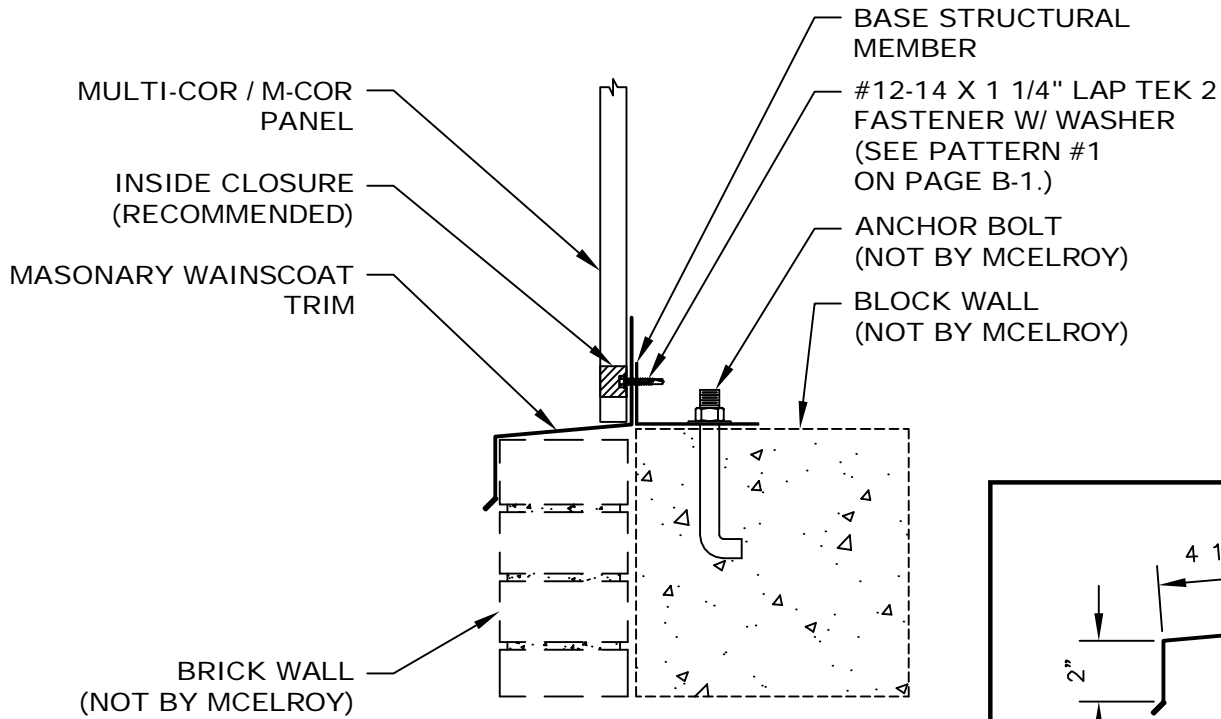
HIGH SIDE TIE-IN DETAIL



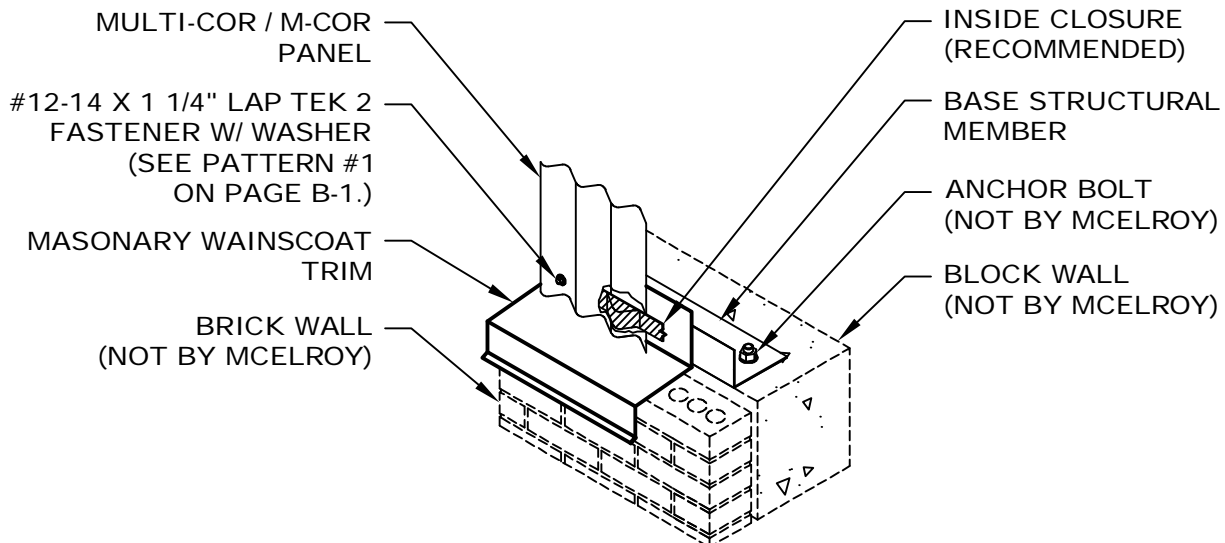
- NOTES: 1. Attach Multi-Cor / M-Cor Panels with #12-14 x 1 1/4" Lap TEK 2 Fastener W/ Washer using Fastener Pattern (See Fastener Pattern #1 On Page B-1).
2. Install a continuous line of 1" Butyl Tape Sealant. Seat Outside Closures in tape sealant. Install another continuous line of 1" Butyl Tape Sealant on top of closures.
3. Attach High Side Tie-In Trim to roof panels with 1/4-14 x 7/8" Lap TEK ZAC with washer at major ribs. make sure fastener penetrates sealant.
4. Trim pieces lap 2". Apply 3/32" x 3/8" Butyl Tape or Butyl Tube Sealant at trim laps and secure trim joint with 1/4-14 x 7/8" Lap TEK ZAC at major ribs.



MASONRY WAINSCOAT DETAIL

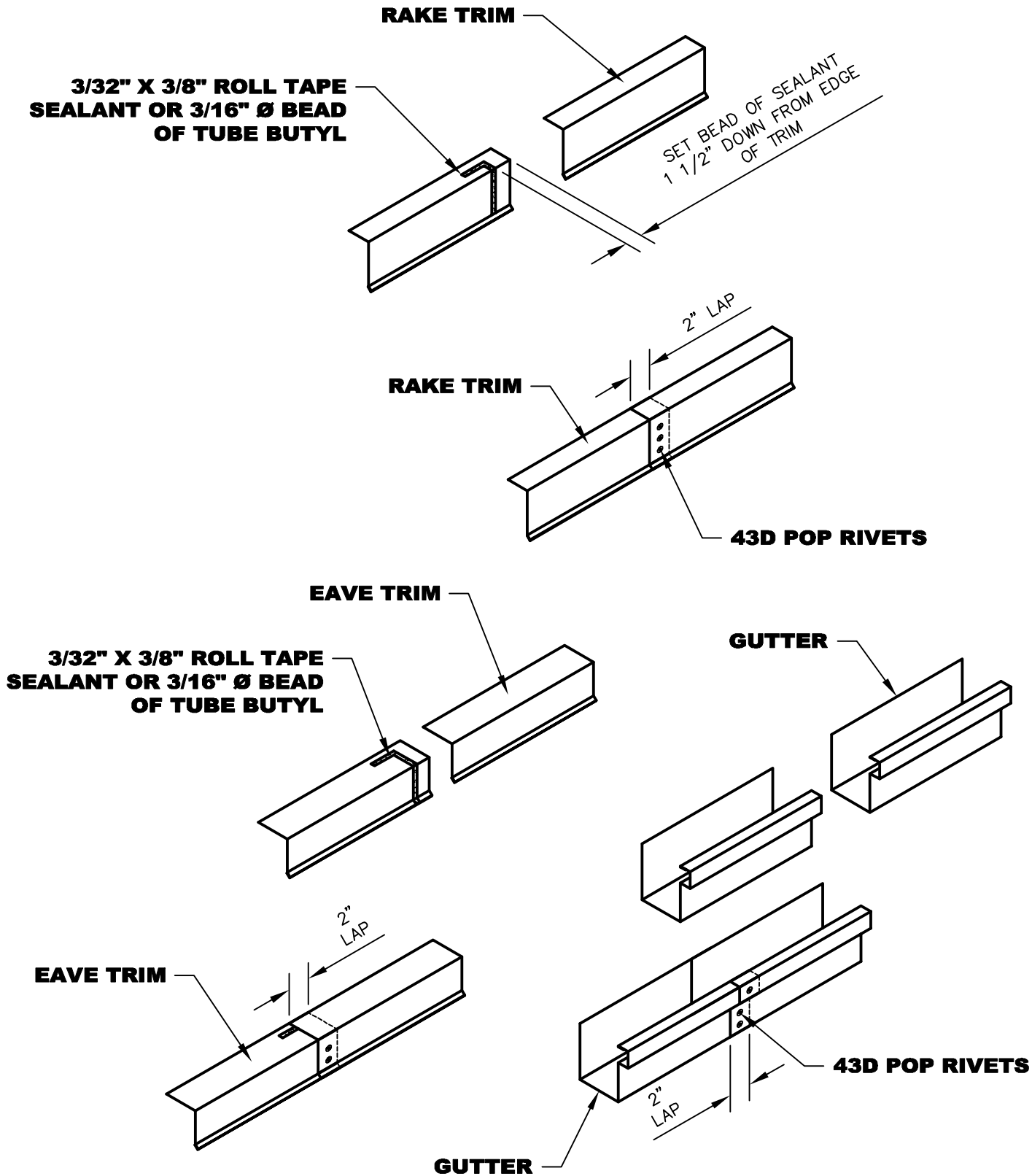


- NOTES: 1. Attach Masonry Waincoat Trim to Base Structural Member with Temporary Framing Fasteners.
 2. Set Inside Closure in place.
 3. Attach Multi-Cor / M-Cor Wall Panels with #12-14 x 1 1/4" Tek 2 Fastener W/ Washer using Fastener Pattern (See Fastener Pattern #1 On Page B-1).

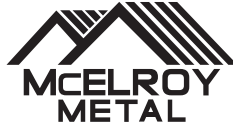


*NOTE: SOME TRIM ITEMS AND FASTENERS HAVE BEEN REMOVED FOR CLARITY OF ISOMETRIC

TYPICAL TRIM LAP DETAIL



- NOTES: 1. Apply 3/32 x 3/8" Roll Tape Sealant or a 3/16" bead of Tube Butyl 1 1/2" back from the edge of the trim. Also, apply a piece of tape sealant or bead of Tube Butyl as a Pigtail to completely seal joint.
2. Notch the hems on the upper trim piece 2" so that the trim will fit flat in the lap joint.
3. Secure trim laps with Pop Rivets as shown above.



☆ MANUFACTURING LOCATIONS ● SERVICE CENTERS ★ MANUFACTURING AND SERVICE CENTER



For more information:
800-562-3576
www.mcelroymetal.com

CORPORATE OFFICE
 1500 HAMILTON RD. • BOSSIER CITY, LA 71111
 Ph: (800) 562-3576 • Fax: (318) 747-8029

MANUFACTURING LOCATIONS

- | | | | |
|--------------|--------------------|------------------|----------------|
| ADELANTO, CA | ASHBURN, GA | BOSSIER CITY, LA | CLINTON, IL |
| HOUSTON, TX | LEWISPORT, KY | MARSHALL, MI | MAUSTON, WI |
| MERKEL, TX | PEACHTREE CITY, GA | SUNNYVALE, TX | WINCHESTER, VA |

McELROY METAL
SERVICE
 CENTER

- | | | | |
|---|--|--|---|
| 5215 Leo St.
Alexandria, LA 71301 | 1500 Hamilton Rd.
Bossier City, LA 71111 | 3052 Yadkin
Chesapeake, VA 23323 | 9476 Meadowbrook Rd.
Clinton, IL 61727 |
| 3215 Highway 59
Diamond, MO 64840 | 390 N. Valley Dell Dr.
Fenton, MO 63026 | 409 Lovejoy Road
Ft. Walton Beach, FL 32548 | 3014 Lincoln Court
Garland, TX 75041 |
| 11625 N. Houston Rosslyn Rd.
Houston, TX 77086 | 10504 E. 59th Street
Indianapolis, IN 46236 | 9435 U.S. Hwy. 60 W.
Lewisport, KY 42351 | 5123 Terminal Dr.
McFarland, WI 53558 |
| 514 Cave Road
Nashville, TN 37210 | 8304 Hwy. 70 E.
North Little Rock, AR 72117 | 613 North Bierdeman Rd.
Pearl, MS 39208 | |
| 5300 83rd Street
Sacramento, CA 95826 | 1365 Dean Forest Rd.
Savannah, GA 31405 | 7355 Oakley Industrial Blvd.
Union City, GA 30291 | |
| 1144 Silstar Rd.
West Columbia, SC 29170 | 325 McGhee Rd.
Winchester, VA 22603 | 30000 U.S. Hwy. 69
Winston, MO 64689 | |

Website: www.mcelroymetal.com • E-mail: info@mcelroymetal.com