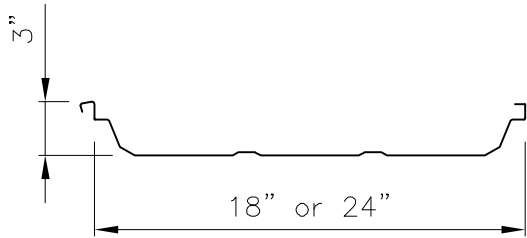


MasterLok-FS Panel

Product Data



MINOR RIB PROFILE
(Standard)

Applications

Mechanically Seamed roof panel used on slopes down to 1/4:12. Continuous length up to 50'. Please inquire for longer lengths.

Substrates

Plywood, Metal Deck, Rigid Insulation/Metal Deck or Open Framing. Best suited for simple sloped roofs without dormers, hips, valleys or other special conditions.

Material

Standard - 24 GA. ASTM A792 (50 ksi steel) AZ55 - Bare
AZ50 - Painted
Optional - 22 GA. ASTM A792 (50 ksi steel) AZ55 - Bare
AZ50 - Painted

Manufacturing

Roll formed in factory. (Bossier Plant Only)

Finishes

Acrylic Coated Galvalume®
Fluoropolymer (Kynar 500® PVDF resin-based)

Pan Conditions

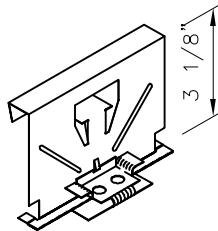
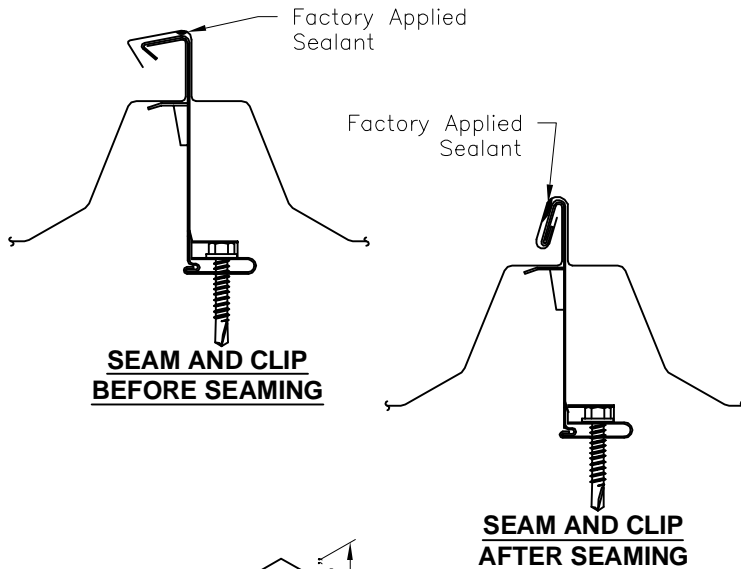
Minor Ribs
Oil canning is inherent in all metal panels and is not cause for panel rejection.

Testing *

Uplift: UL 580 Class 90, ASTM E1592
Air & Water Infiltration: ASTM E1680, and ASTM E1646.
Fire Resistance: UL790 Class A
Impact Testing: UL2218 Class 4
FM Approval
Florida Product Approval: FL 8051.1
Testing and Approvals are product specific. Please inquire for details

NOTE:

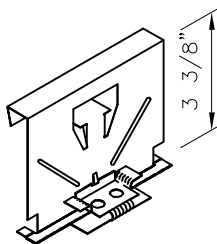
All data represented on this sheet may not be applicable to all widths and gauges. Please contact McElroy Metal for more information.



UTILITY FLOATING CLIP

2-Piece

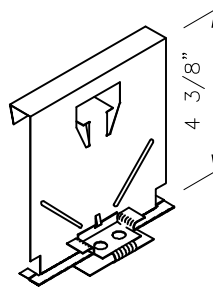
Clip: 22 GA. Galvanized G90 - ASTM A653 (50 ksi)
Base: 16 GA. Galvanized G90 - ASTM A653 (50 ksi)



LOW FLOATING CLIP

2-Piece

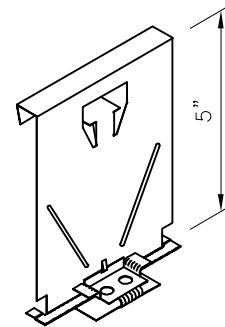
Clip: 22 GA. Galvanized G90 - ASTM A653 (50 ksi)
Base: 16 GA. Galvanized G90 - ASTM A653 (50 ksi)



HIGH FLOATING CLIP

2-Piece

Clip: 22 GA. Galvanized G90 - ASTM A653 (50 ksi)
Base: 16 GA. Galvanized G90 - ASTM A653 (50 ksi)



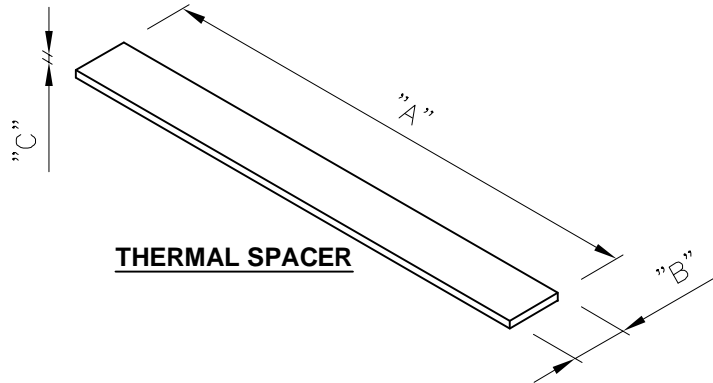
TALL FLOATING CLIP

2-Piece

Clip: 22 GA. Galvanized G90 - ASTM A653 (50 ksi)
Base: 16 GA. Galvanized G90 - ASTM A653 (50 ksi)

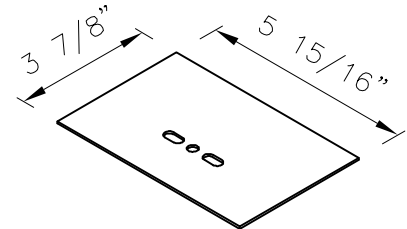
MasterLok-FS Panel (Continued)

Product Data

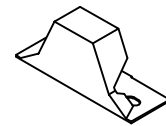


THERMAL SPACER SIZE CHART

PANEL	"A"	"B"	"C"
24"	22 7/8"	3"	3/8", 5/8", 1" or 1 3/8"



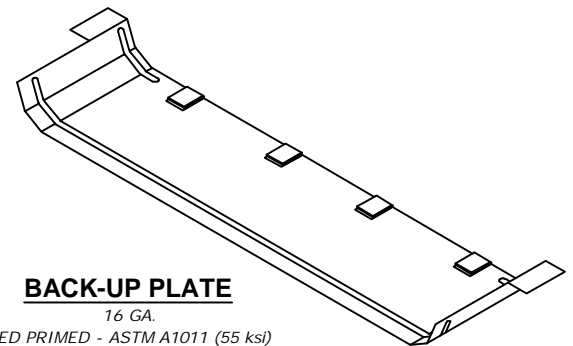
16 GA.
 RED PRIMED - ASTM A1011 (55 ksi)
 GALVANIZED - ASTM A653 (55 ksi)



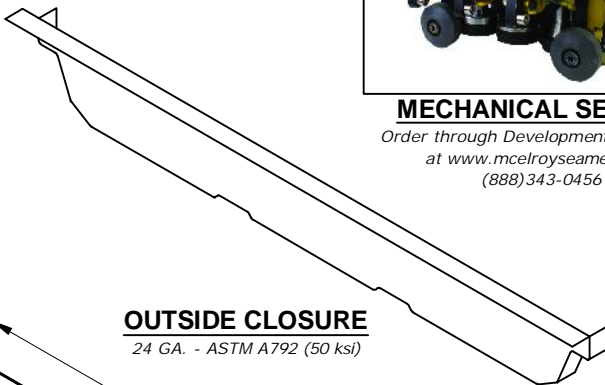
16 GA. - ASTM A653 (50 ksi)



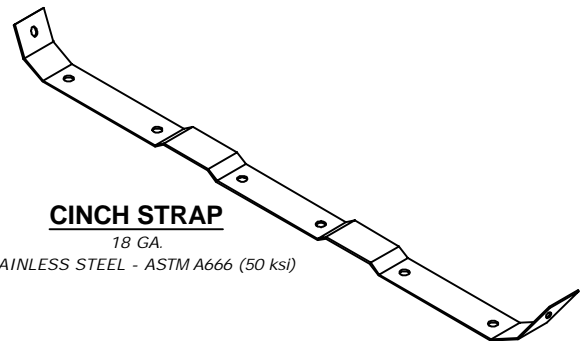
Order through Developmental Industries
 at www.mcelroyseamers.com
 (888) 343-0456



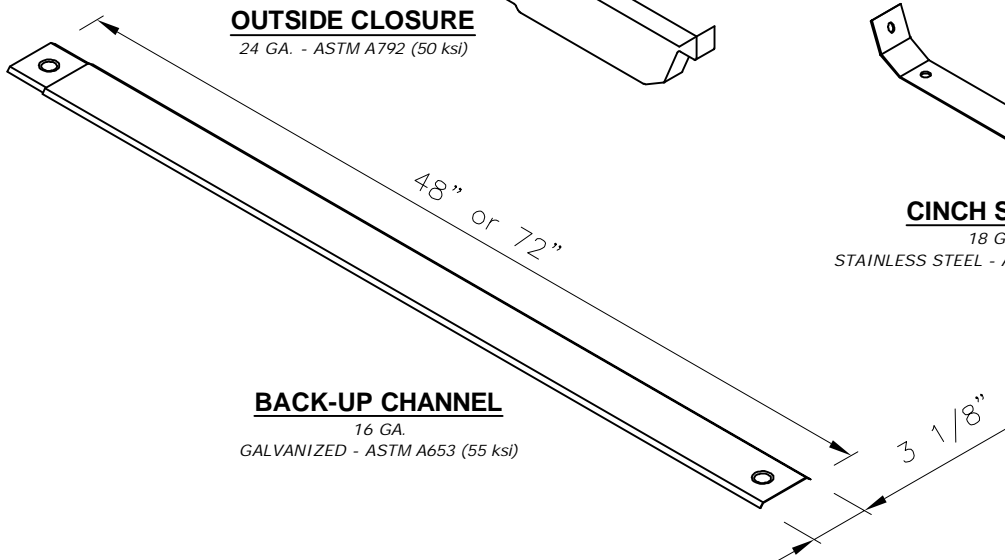
16 GA.
 RED PRIMED - ASTM A1011 (55 ksi)
 GALVANIZED - ASTM A653 (55 ksi)



24 GA. - ASTM A792 (50 ksi)



18 GA.
 STAINLESS STEEL - ASTM A666 (50 ksi)



16 GA.
 GALVANIZED - ASTM A653 (55 ksi)