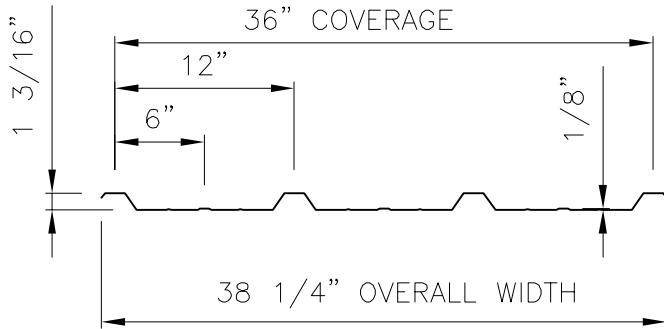
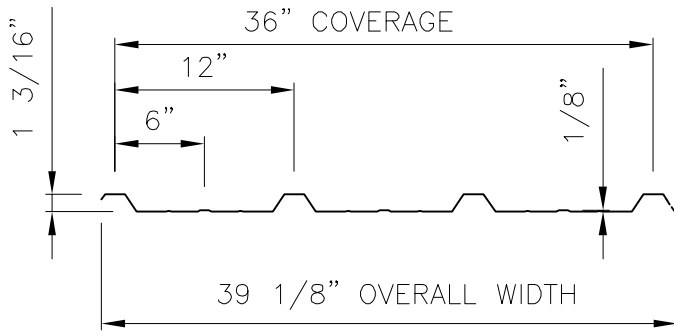


Multi-Rib and Multi-Rib PB Panel

Product Data



MULTI-RIB PROFILE - WALLS
(Non-Purlin Bearing Leg)



MULTI-RIB PROFILE - ROOFS
(Purlin Bearing Leg)

NOTE:
All data represented on this sheet may not be applicable to all widths and gauges. Please contact McElroy Metal for more information.

Applications

Exposed fastener wall/roof panel used on slopes down to 1:12. Tape sealant is required on seam (side-laps). Standard panel lengths up to 40'. Please inquire for longer lengths.

Substrates

Plywood or Purlins.

Material

Standard - 26 GA. ASTM A792 (50 or 80 ksi steel) *roof & wall panels*
AZ55 - Bare, AZ50 - Painted
Optional - 22 GA. & 24 GA. ASTM A792 (50 ksi steel) *wall panels*
AZ55 - Bare, AZ50 - Painted

Manufacturing

Roll formed in factory.

Finishes

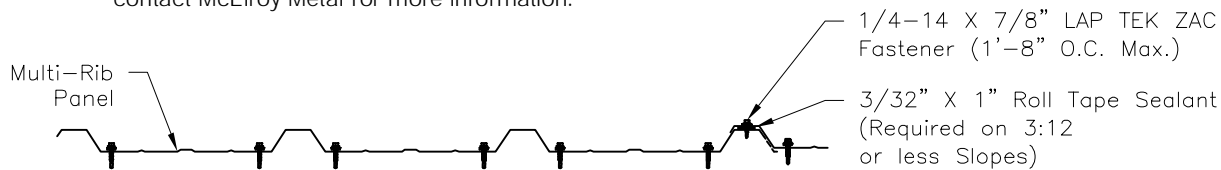
Acrylic Coated Galvalume®
Fluoropolymer (Kynar 500® PVDF resin-based)
Siliconized Polyester and Polyester

Pan Conditions

Oil canning is inherent in all metal panels and is not cause for panel rejection.

Testing *

Uplift: UL 580 Class 90, ASTM E1592
Air & Water Infiltration: E1646 and E1680
Impact Testing: UL 2218 Class 4
Fire Resistance: UL 263 & UL 790 Class A
Florida Product Approval: FL 1832.10 (non-structural roofing)
FL 1747.8 (structural roofing)
Texas Windstorm: RC-63 & RC-283
Testing and Approvals are product specific. Please inquire for details.



FASTENER PATTERN
(@ Eaves, Ridges & Endlaps)



FASTENER PATTERN
(@ Intermediate Purlins)



FOAM INSIDE CLOSURE



FOAM OUTSIDE CLOSURE